

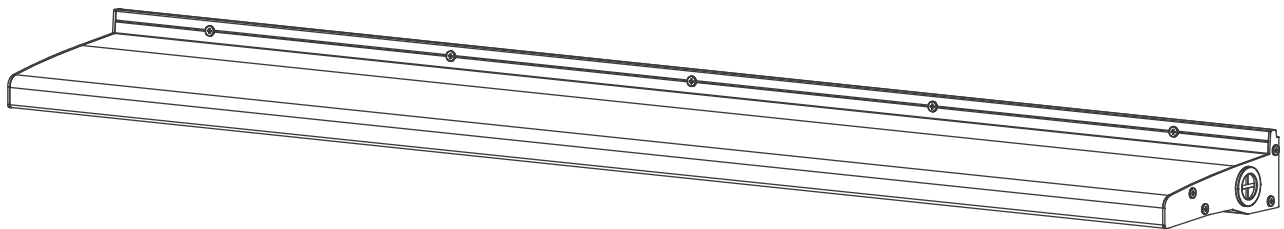
FOR OUTDOOR USE

CANOPY-TYPE LED LIGHT FOR SIGNAGE (DOWNWARD LIGHTING ONLY)

DEHABAM

# DEHABAM

## ABOUT WARNING SYMBOLS







DB600B	DB600W	DB1200B	DB1200W	DB1800B	DB1800W
DB600B/27	DB600W/27	DB1200B/27	DB1200W/27	DB1800B/27	DB1800W/27

**WE SINCERELY THANK YOU FOR PURCHASING A PRODUCT FROM NIKKEN HARDWARE. TO ENSURE PROPER AND SAFE INSTALLATION AND USE OF THIS PRODUCT, PLEASE READ THIS INSTRUCTION MANUAL CAREFULLY.**

### TABLE OF CONTENTS


<b>1: NOTES</b>	<b>P.1</b>
<b>2: TECHNICAL SPECIFICATIONS</b>	<b>P.2</b>
<b>3: DIMENSION DRAWINGS</b>	<b>P.3</b>
<b>4: PART NAMES</b>	<b>P.4</b>
<b>5: INSTALLATION PROCEDURE</b>	<b>P.5-9</b>
<b>6: FOR END USERS</b>	<b>P.10</b>


## ABOUT WARNING SYMBOLS

-  **(WARNING): MAY CAUSE SERIOUS ACCIDENTS.**
-  **(CAUTION): MAY CAUSE PRODUCT DAMAGE OR INJURY.**
-  **(PROHIBITED): ACTIONS THAT ARE FORBIDDEN AND MUST BE NOTED.**
-  **(CONFIRMATION): POINTS THAT MUST BE CHECKED OR NOTED.**

### 1. ABOUT WARNING SYMBOLS

#### ▲ **WARNING**

 When installing this product, ensure that the supporting structure is sufficiently strong to withstand vibration, strong wind, snow, etc. After installation, prevent the product from falling. If the structure is not strong enough, reinforce or properly treat the mounting surface before installation.


 To prevent damage or falling due to strong wind, the product should be installed at a height of  $\leq 15$  m above ground level.

Do not use this product in the following environments/conditions:

Locations exceeding the temperature and humidity range specified in the technical specifications.

Locations with strong vibration or impact. Locations with corrosive or flammable gases.

 Environments with oil mist. Locations where the product may be directly exposed to water.

 Locations with flammable materials. Locations covered by grass, heat-insulating materials, soundproofing materials, etc.

Locations where people can easily touch the product.


#### △ **WARNING**


 When connecting power, follow the instruction manual precisely.

#### △ **INSTALLATION PRECAUTIONS**

Ensure that:

 The mounting surface is sufficiently strong and not degraded by rust or corrosion over time.

 Light leakage does not affect surrounding areas.

 Do not operate the light continuously for 24 hours, as this may significantly reduce lifespan.

Do not operate the light during daytime, especially under direct sunlight, as this may shorten product life.

 Damage caused by lightning is not covered by warranty. Please install a lightning protection device in the circuit.

 Use RNCT power cable (rubber cab-tire type cable)  $\geq 0.75$  mm<sup>2</sup> (2 cores or more).

#### - **PROHIBITED**

Installation and wiring must be performed by a licensed electrician. Unlicensed persons are prohibited by law.

 Do not connect the light to dimmers, ballasts, igniters, other power sources, or motion sensors.

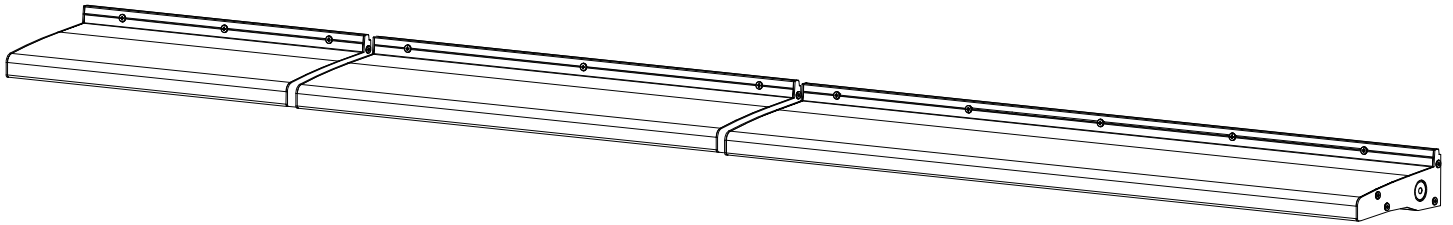
#### **CONFIRMATION**

LED lifespan is highly dependent on operating temperature. The design life stated in the specifications is based on operation within the specified temperature range.

Operating the light in environments with oil, steam, furnaces, or direct sunlight may increase internal temperature and significantly reduce lifespan.

If oil, dust, or sawdust accumulates on the fixture, heat dissipation will be reduced, potentially causing failure. Clean regularly using a dry cloth or a diluted neutral detergent solution.

# SIGN WIDTH COMBINATION TABLE

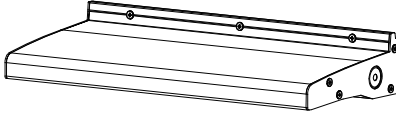


For the 5 product lines DB400 / 600 / 900 / 1200 / 1800,  
they can be combined to cover signage widths from 1,000 mm to 10,000 mm.  
(Excluding 1,100 mm width signs)

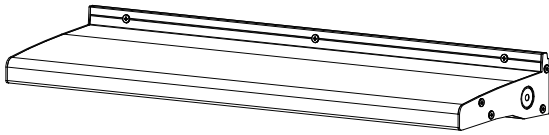
SIGN WIDTH	1000mm	1100mm	1200mm	1300mm	1400mm	1500mm	1600mm	1700mm	1800mm	1900mm
DEHABA COMBINATION	DB400 +DB600	×	○	DB400 +DB900	DB400×2 +DB600	DB600 +DB900	DB400 +DB1200	DB400×2 +DB900	○	DB400 +DB600 +DB900
LENGTH (MM)	2000mm	2100mm	2200mm	2300mm	2400mm	2500mm	2600mm	2700mm	2800mm	2900mm
DEHABA COMBINATION	DB400×2 +DB1200	DB900 +DB1200	DB400 +DB1800	DB400×2 +DB600 +DB900	DB1200×2	DB400 +DB900 +DB1200	DB400×2 +DB1800	DB900 +DB1800	DB400 +DB600 +DB1800	DB400×2 +DB900 +DB1200
LENGTH (MM)	3000mm	3100mm	3200mm	3300mm	3400mm	3500mm	3600mm	3700mm	3800mm	3900mm
DEHABA COMBINATION	DB1200 +DB1800	DB400 +DB900 +DB1800	DB400×2 +DB600 +DB1800	DB600 +DB900 +DB1800	DB400 +DB1200 +DB1800	DB400×2 +DB900 +DB1800	DB1800×2	DB400 +DB600 +DB900 +DB1800	DB400×2 +DB1200 +DB1800	DB900 +DB1200 +DB1800
LENGTH (MM)	4000mm	4100mm	4200mm	4300mm	4400mm	4500mm	4600mm	4700mm	4800mm	4900mm
DEHABA COMBINATION	DB400 +DB1800×2	DB400×2 +DB600 +DB900 +DB1800	DB600 +DB1800×2	DB400 +DB900 +DB1200 +DB1800	DB400×2 +DB1800×2	DB900 +DB1800×2	DB400 +DB600 +DB1800×2	DB400×2 +DB900 +DB1200 +DB1800	DB1200 +DB1800×2	DB400 +DB900 +DB1800×2
LENGTH (MM)	5000mm	5100mm	5200mm	5300mm	5400mm	5500mm	5600mm	5700mm	5800mm	5900mm
DEHABA COMBINATION	DB400×2 +DB600 +DB1800×2	DB600 +DB900 +DB1800×2	DB400 +DB1200 +DB1800×2	DB400×2 +DB900 +DB1800×2	DB1800×3	DB400 +DB600 +DB900 +DB1800×2	DB400×2 +DB1200 +DB1800×2	DB900 +DB1200 +DB1800×2	DB400 +DB1800×3	DB400×2 +DB600 +DB900 +DB1800×2
LENGTH (MM)	6000mm	6100mm	6200mm	6300mm	6400mm	6500mm	6600mm	6700mm	6800mm	6900mm
DEHABA COMBINATION	DB600 +DB1800×3	DB400 +DB900 +DB1200 +DB1800×2	DB400×2 +DB1800×3	DB900 +DB1800×3	DB400 +DB600 +DB1800×3	DB400×2 +DB900 +DB1200 +DB1800×2	DB1200 +DB1800×3	DB400 +DB900 +DB1800×3	DB400×2 +DB600 +DB1800×3	DB600 +DB900 +DB1800×3
LENGTH (MM)	7000mm	7100mm	7200mm	7300mm	7400mm	7500mm	7600mm	7700mm	7800mm	7900mm
DEHABA COMBINATION	DB400 +DB1200 +DB1800×3	DB400×2 +DB900 +DB1800×3	DB1800×4	DB400 +DB600 +DB900 +DB1800×3	DB400×2 +DB1200 +DB1800×3	DB900 +DB1200 +DB1800×3	DB400 +DB1800×4	DB400×2 +DB900 +DB1200×2 +DB1800×2	DB600 +DB1800×4	DB400 +DB900 +DB1200 +DB1800×3
LENGTH (MM)	8000mm	8100mm	8200mm	8300mm	8400mm	8500mm	8600mm	8700mm	8800mm	8900mm
DEHABA COMBINATION	DB400×2 +DB1800×4	DB900 +DB1800×4	DB400 +DB600 +DB1800×4	DB400×2 +DB900 +DB1200 +DB1800×3	DB1200 +DB1800×4	DB400 +DB900 +DB1800×4	DB400×2 +DB1200×2 +DB1800×3	DB600 +DB900 +DB1800×4	DB400 +DB1200 +DB1800×4	DB400×2 +DB900 +DB1800×4
LENGTH (MM)	9000mm	9100mm	9200mm	9300mm	9400mm	9500mm	9600mm	9700mm	9800mm	9900mm
DEHABA COMBINATION	DB1800×5	DB400 +DB600 +DB900 +DB1800×4	DB400×2 +DB1200 +DB1800×4	DB900 +DB1200 +DB1800×4	DB400 +DB1800×5	DB400×2 +DB900 +DB1200×2 +DB1800×3	DB600 +DB1800×5	DB400 +DB900 +DB1200 +DB1800×4	DB400×2 +DB1800×5	DB900 +DB1800×5
LENGTH (MM)	10000mm									
DEHABA COMBINATION	DB400 +DB600 +DB1800×5									

## B. TECHNICAL SPECIFICATIONS (DB400 / DB600 / DB900)

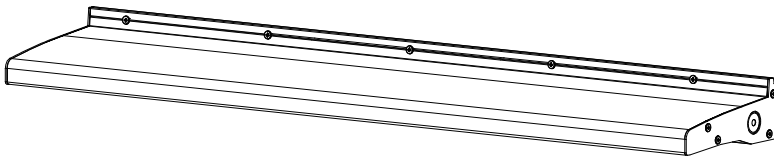
### DB400



### DB600



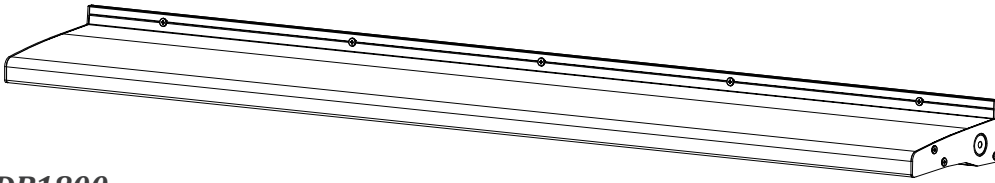
### DB900



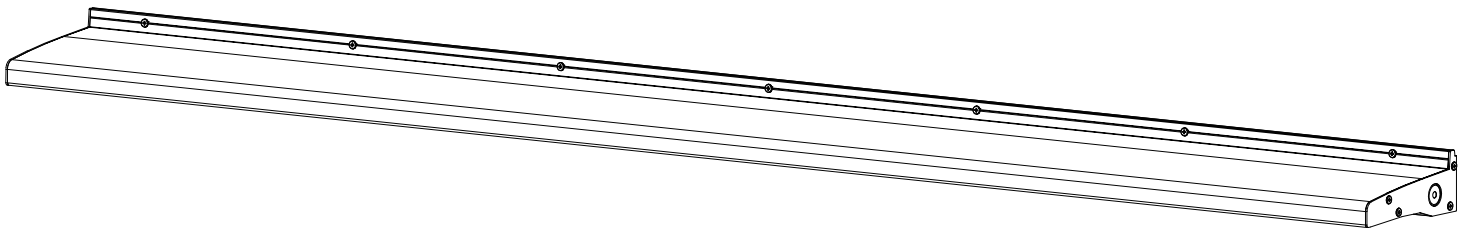
MODEL	DB400				DB600				DB900			
	B	B/27	W	W/27	B	B/27	W	W/27	B	B/27	W	W/27
MAIN POWER	BLACK		WHITE		BLACK		WHITE		BLACK		WHITE	
LIGHT COLOR	5000k	2700K	5000k	2700K	5000k	2700K	5000k	2700K	5000k	2700K	5000k	2700K
TOTAL LUMINOUS FLUX (LM)	1320 lm	1100 lm	1320 lm	1100 lm	1440lm	1200lm	1440lm	1200lm	2160lm	1800lm	2160lm	1800lm
BEAM ANGLE	20DEGREES											
POWER CONSUMPTION (W)	11W				12W				18W			
COLOR RENDERING INDEX (CRI)	>Ra80											
CURRENT (A)	100V:0.13/200V:0.06A				100V:0.14/200V:0.07A				100V:0.2/200V:0.1A			
INPUT VOLTAGE (V)	AC 100V-240V											
POWER FACTOR (PF)	> 0.9											
HEAT RESISTANCE	NORMAL MODE: 1 KV COMMON MODE: 2 KV											
LAMP WEIGHT	1.7kg				2.3kg				3.3kg			
CABLE LENGTH	0.3M											
INGRESS PROTECTION RATING (IP)	IP65 (WHEN WATERPROOFING IS PERFORMED ACCORDING TO THE INSTRUCTIONS IN THE MANUAL)											
IMPACT PROTECTION RATING	IK06											
OTHER CERTIFICATIONS AND TESTS	PSE (PRODUCT SAFETY ELECTRICAL APPLIANCE & MATERIAL LAW), IMPACT RESISTANCE TEST (IEC 60068-2-6)											
DESIGN LIFETIME	40,000 HOURS (AT AN AMBIENT TEMPERATURE OF 25°C)											
OPERATING TEMPERATURE	-25°C ~ 45°C											
WARRANTY PERIOD	3 YEARS											
MATERIAL	LAMP BODY: ALUMINUM, SIDE PANEL: ASA, LIGHT-EMITTING SURFACE: ACRYLIC, GASKET: SILICONE											
ACCESSORIES INCLUDED	GASKET ×1											

## B. TECHNICAL SPECIFICATIONS (DB1200 / DB1800)

### DB1200



### DB1800



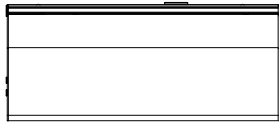
MODEL	DB1200				DB1800			
	B	B/27	W	W/27	B	B/27	W	W/27
MAIN POWER	BLACK		WHITE		BLACK		WHITE	
LIGHT COLOR	5000k	2700K	5000k	2700K	5000k	2700K	5000k	2700K
TOTAL LUMINOUS FLUX (LM)	2880lm	2400lm	2880lm	2400lm	4320lm	3600lm	4320lm	3600lm
BEAM ANGLE	20DEGREES							
POWER CONSUMPTION (W)	24W				36W			
COLOR RENDERING INDEX (CRI)	>Ra80							
CURRENT (A)	100V:0.28/200V:0.14A				100V:0.42/200V:0.21A			
INPUT VOLTAGE (V)	AC 100V-240V							
POWER FACTOR (PF)	> 0.9							
HEAT RESISTANCE	NORMAL MODE: 1 KV COMMON MODE: 2 KV							
LAMP WEIGHT	4kg				6kg			
CABLE LENGTH	0.3M							
INGRESS PROTECTION RATING (IP)	IP65 (WHEN WATERPROOFING IS PERFORMED ACCORDING TO THE INSTRUCTIONS IN THE MANUAL)							
IMPACT PROTECTION RATING	IK06							
OTHER CERTIFICATIONS AND TESTS	PSE (PRODUCT SAFETY ELECTRICAL APPLIANCES AND MATERIALS LAW), IMPACT RESISTANCE TEST (IEC 60068-2-6)							
DESIGN LIFETIME	40,000 HOURS (AT AN AMBIENT TEMPERATURE OF 25°C)							
OPERATING TEMPERATURE	-25°C ~ 45°C							
WARRANTY PERIOD	3 YEARS							
MATERIAL	LAMP BODY: ALUMINUM, SIDE PANEL: ASA, LIGHT-EMITTING SURFACE: ACRYLIC, GASKET: SILICONE							
ACCESSORIES INCLUDED	GASKET ×1							

**4. DIMENSIONAL DRAWING**

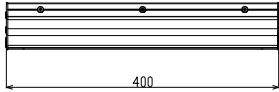
※ 16×12 = WALL MOUNTING HOLE FOR M10 BOLTS  
 ※ Φ8 = WALL MOUNTING HOLE FOR WOOD SCREWS

**DB400**

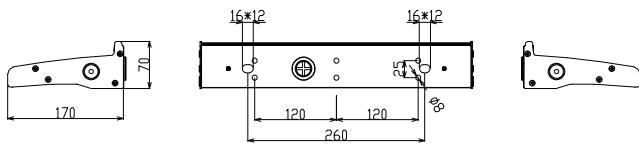
TOP VIEW



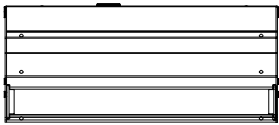
FRONT VIEW



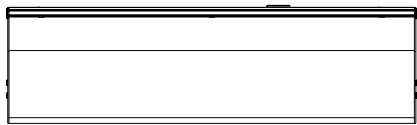
REAR VIEW



BOTTOM VIEW

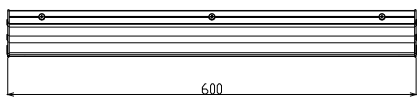


TOP VIEW

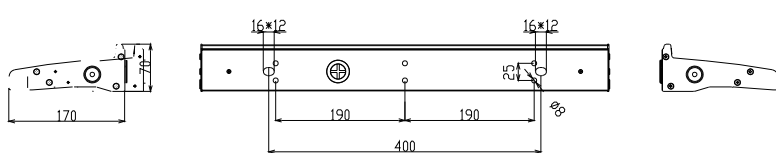


**DB600**

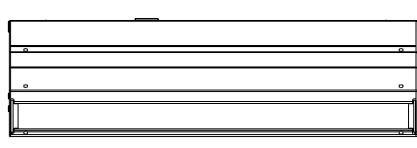
FRONT VIEW



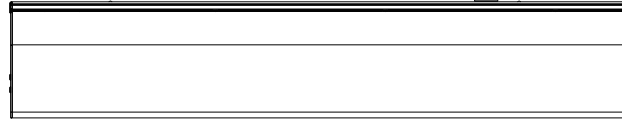
REAR VIEW



BOTTOM VIEW

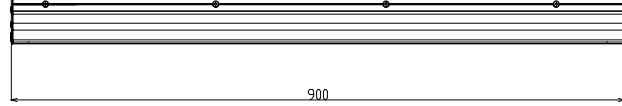


TOP VIEW

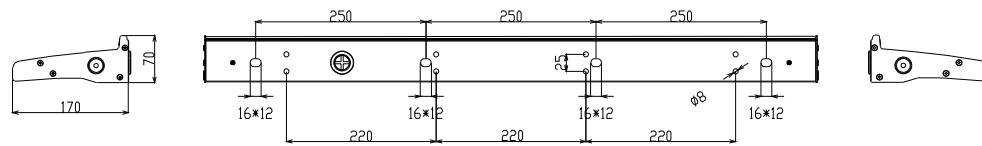


**DB900**

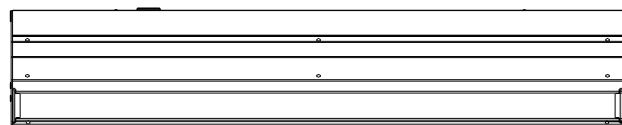
FRONT VIEW



REAR VIEW



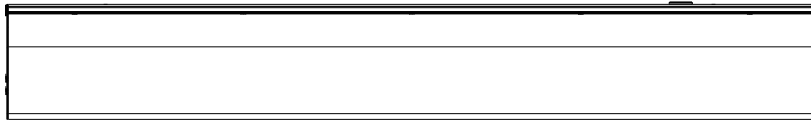
BOTTOM VIEW



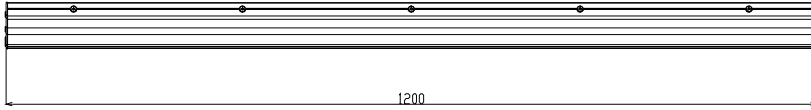
※ 16×12 = WALL MOUNTING HOLE FOR M10 BOLTS  
 ※ Ø8 = WALL MOUNTING HOLE FOR WOOD SCREWS

4. DIMENSIONAL DRAWING

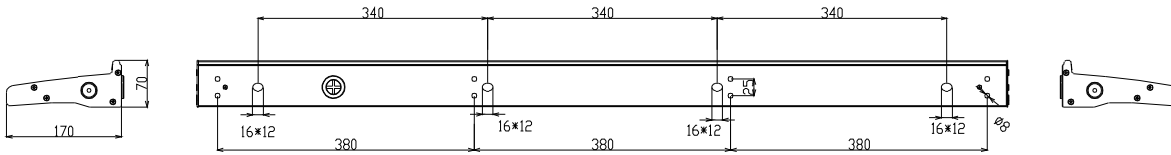
TOP  
VIEW



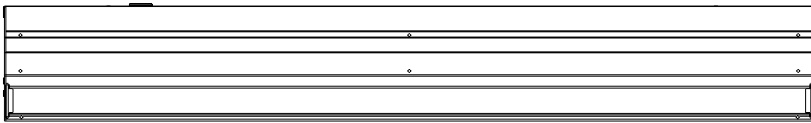
FRONT  
VIEW



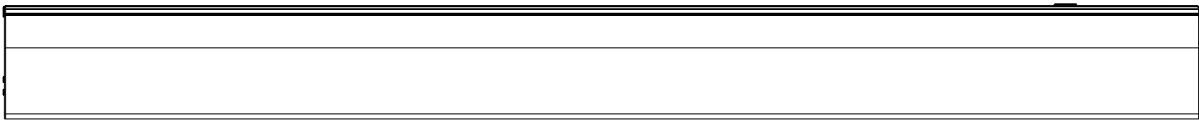
REAR  
VIEW



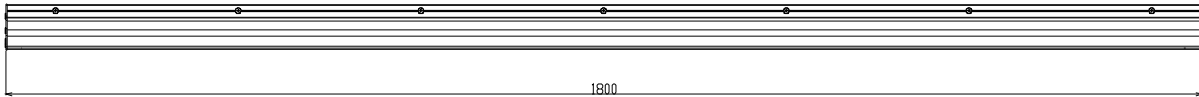
BOTTOM  
VIEW



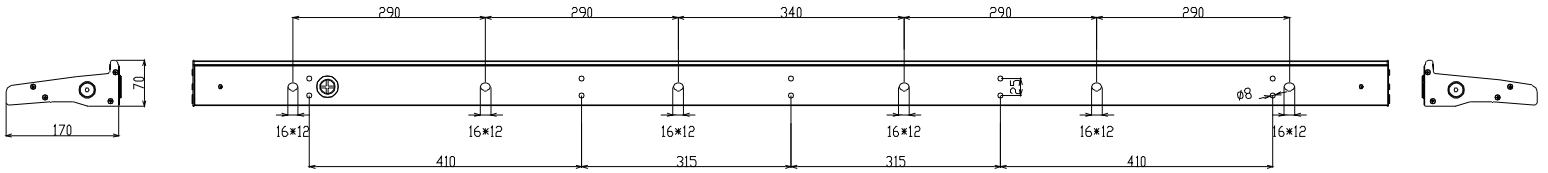
TOP  
VIEW



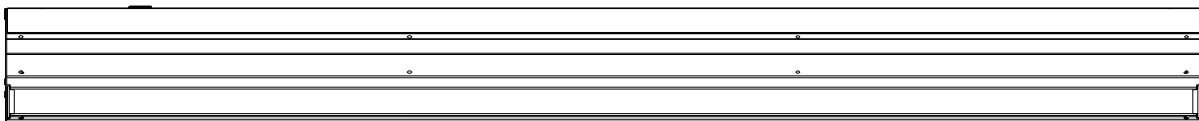
FRONT  
VIEW



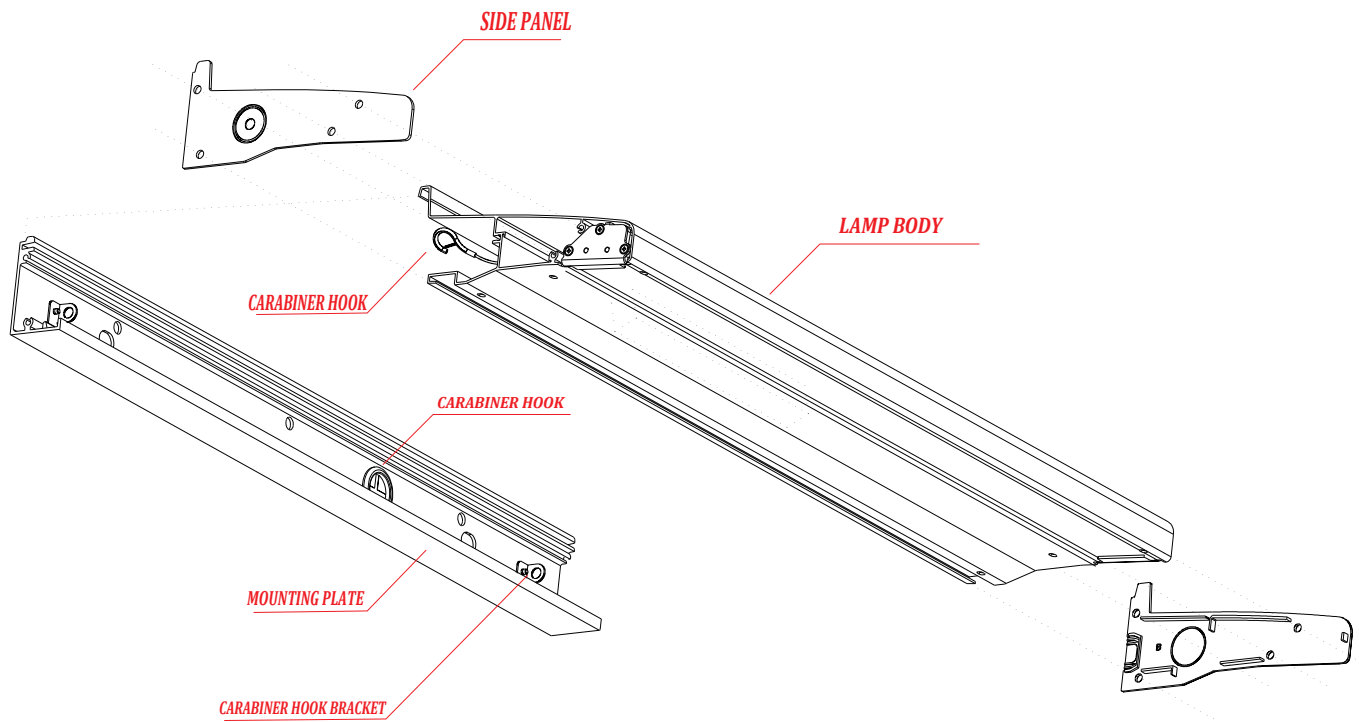
REAR  
VIEW



BOTTOM  
VIEW



**5. PART NAMES OF COMPONENTS**



**OTHER ACCESSORIES INCLUDED (NOT SHOWN IN THE ABOVE ILLUSTRATION)**

	<i>M4 SCREWS (QUANTITY USED)</i>	<i>M4 SCREWS (QUANTITY USED)</i>	<i>RUBBER GASKET</i>	<i>ONLINE USER GUIDE (WEB) QR CODE PRINTING PAPER</i>
<i>DB400</i>	<i>11 LAMPS</i>	<i>17 LAMPS</i>	<i>1 PIECE</i>	<i>1 PIECE</i>
<i>DB600</i>	<i>11 LAMPS</i>			
<i>DB900</i>	<i>13 LAMPS</i>			
<i>DB1200</i>	<i>13 LAMPS</i>			
<i>DB1800</i>	<i>15 LAMPS</i>			

## 6. INSTALLATION PROCEDURE

### SEPARATION

During packaging, the lamp body and mounting plate are secured with a strap. Remove the strap to separate the lamp body and mounting plate.

At the same time, ensure that the carabiner hook and carabiner bracket are properly detached.

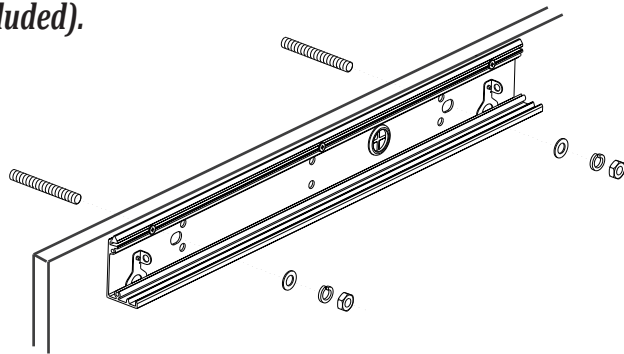
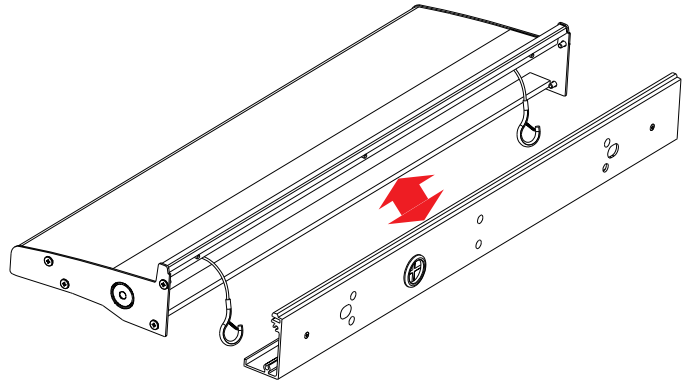
### FIXING THE MOUNTING PLATE

Secure the mounting plate to the installation structure.

Use appropriate bolts/screws for the structure ( not included).

This product is for downward lighting only.

When using anchor bolts for installation, the protruding length should be 20-30 mm.



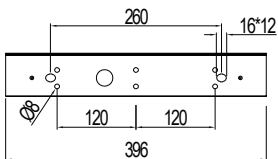
※  $\Phi 8$ : WALL MOUNTING HOLE FOR WOOD SCREWS

※ 16\*12: WALL MOUNTING HOLE FOR M10 BOLTS

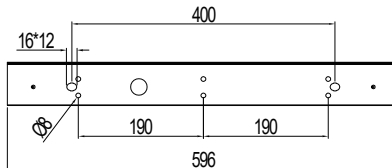
NUMBER OF REQUIRED WOOD SCREWS USED				
DB400	DB600	DB900	DB1200	DB1800
6 LAMPS	6 LAMPS	8 LAMPS	8 LAMPS	10 LAMPS

NUMBER OF REQUIRED M10 BOLTS				
DB400	DB600	DB900	DB1200	DB1800
2 LAMPS	2 LAMPS	4 LAMPS	4 LAMPS	6 LAMPS

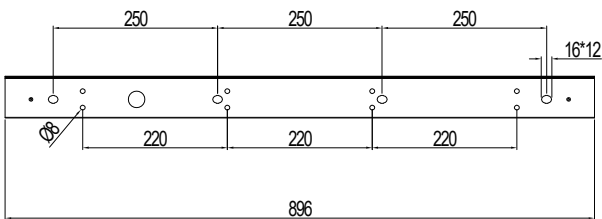
#### DB 400



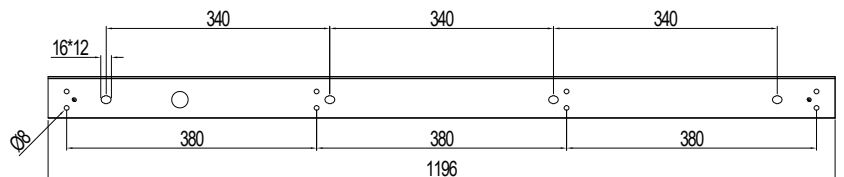
#### DB 600



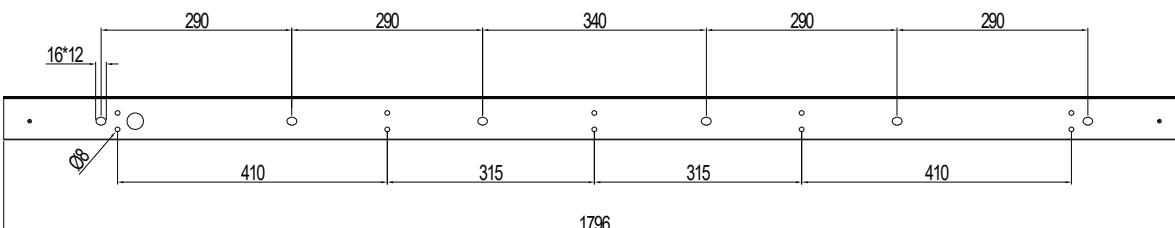
#### DB 900



#### DB 1200

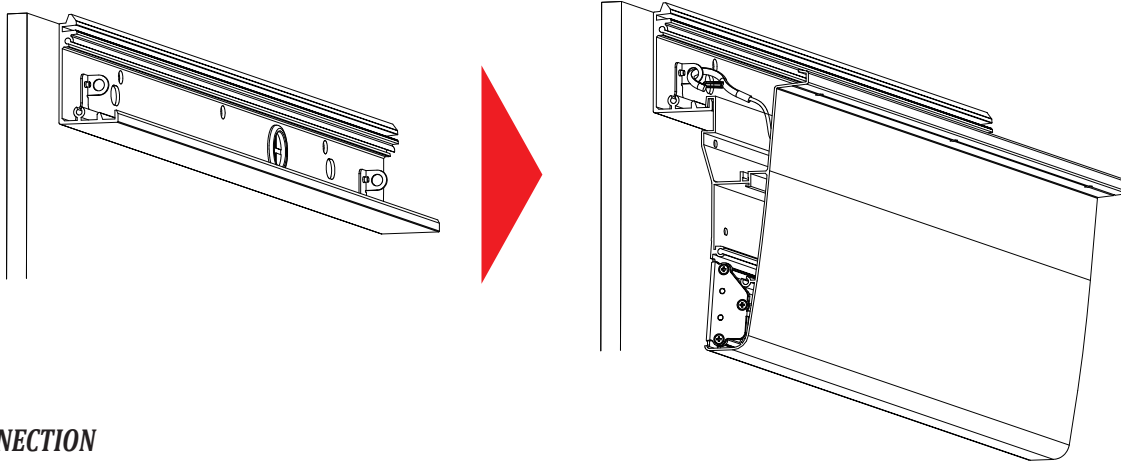


#### DB 1800



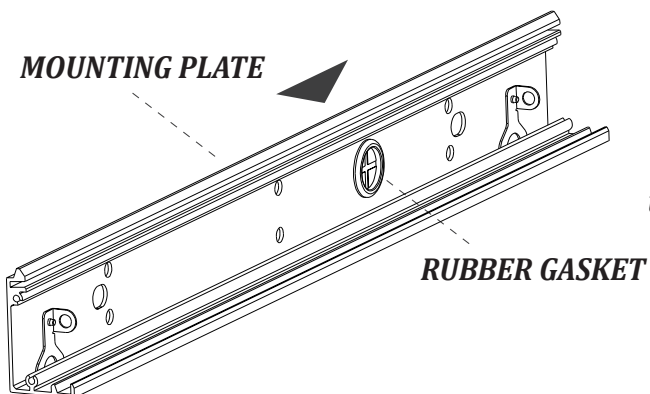
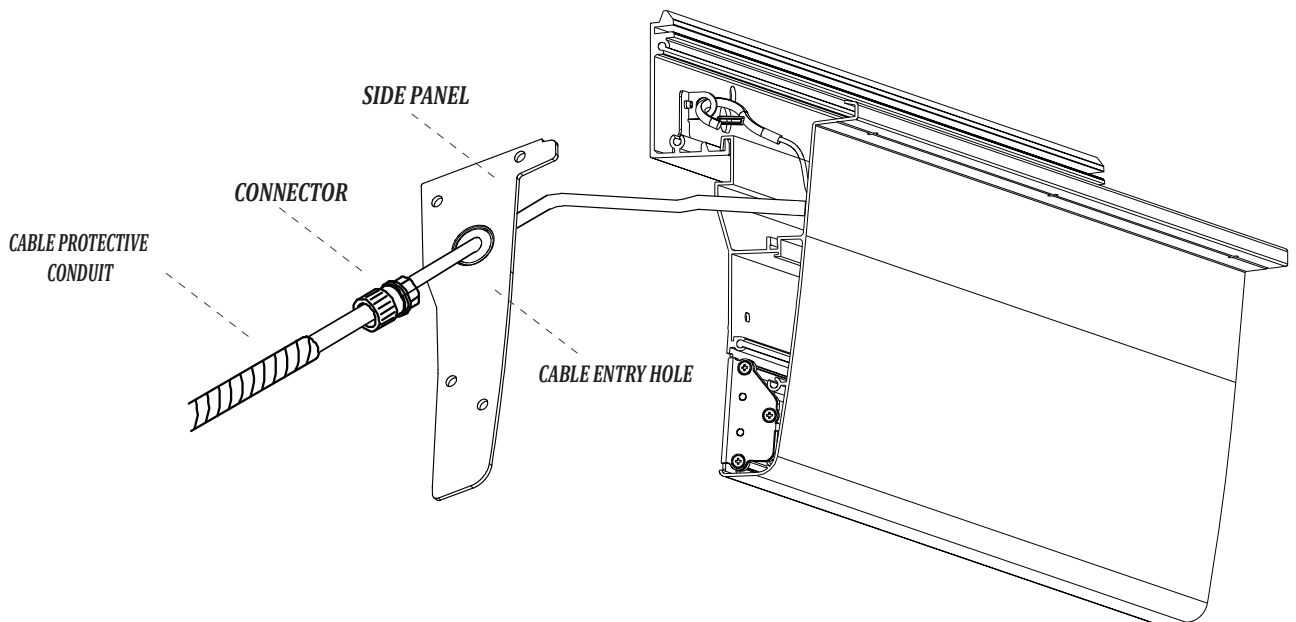
### 3. TEMPORARY POSITIONING OF THE LAMP BODY

*Hang the lamp body onto the mounting plate that has been fixed to the structure. At this stage, hook the carabiner of the lamp body onto the carabiner bracket on the mounting plate to prevent it from falling.*



### 4. POWER CONNECTION

*Connect the primary power cable to the lead wire from the lamp body. If routing the primary power cable through the side panel, knock out the cable entry hole on the side panel at this step and pass the cable through. The exposed portion of the power cable from the lamp must be protected using a protective conduit (such as a PF conduit) or an appropriate connector.*



*When routing the primary power cable from the wall, use the included gasket and pass the cable through the gasket.*

## 6. INSTALLATION PROCEDURE

### 5. WIRING CONNECTION PRECAUTIONS



#### NOTE ON CAPILLARY ACTION (WATER ABSORPTION)

Pay special attention to ensure that water does not come into contact with the connection points or the cable sheath, to prevent moisture from being drawn into the power cable.

Apply waterproofing to the connection points and cable sheath ends using self-fusing tape. Ensure careful sealing so that water cannot penetrate through gaps between the cable sheath and internal wires.

Wrap insulating tape over the self-fusing tape to provide electrical insulation.

Continue wrapping additional insulating tape to fully cover and complete overall insulation.

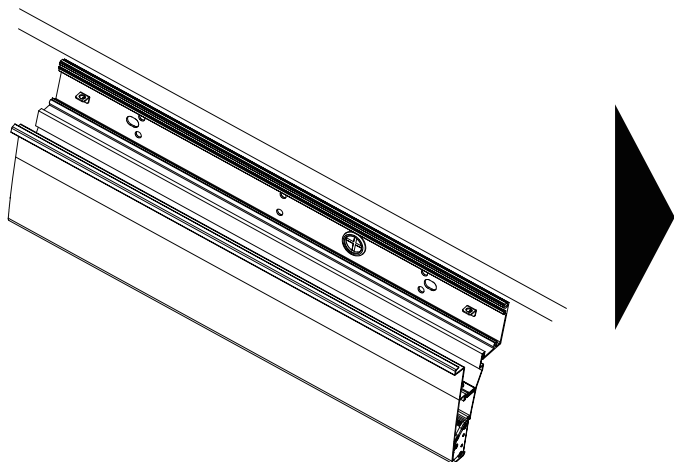
When using sealed connectors (end caps), fix the connection point facing upward and take care to prevent water from entering through gaps between cable layers.

### 6. INSTALLING THE LAMP BODY

Secure the temporarily positioned lamp body onto the mounting plate. First, hook the red-marked part shown in the right diagram from above, then press the blue-marked part into place.

During installation, be careful not to pinch the carabiner cable or the connection wires.

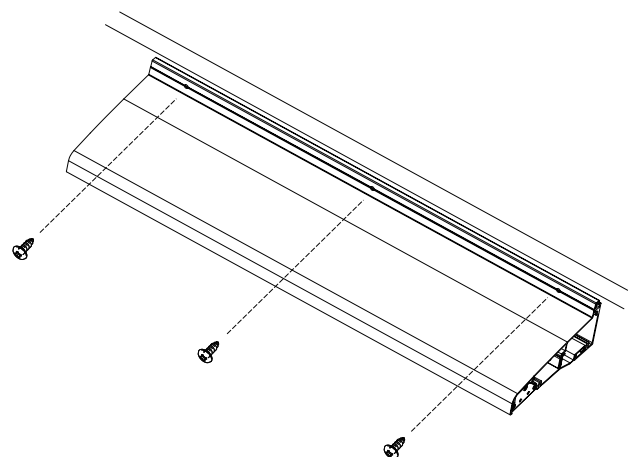
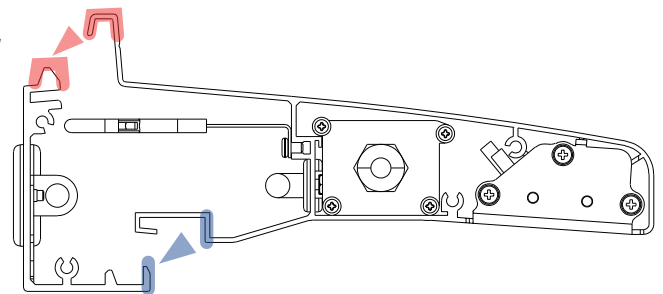
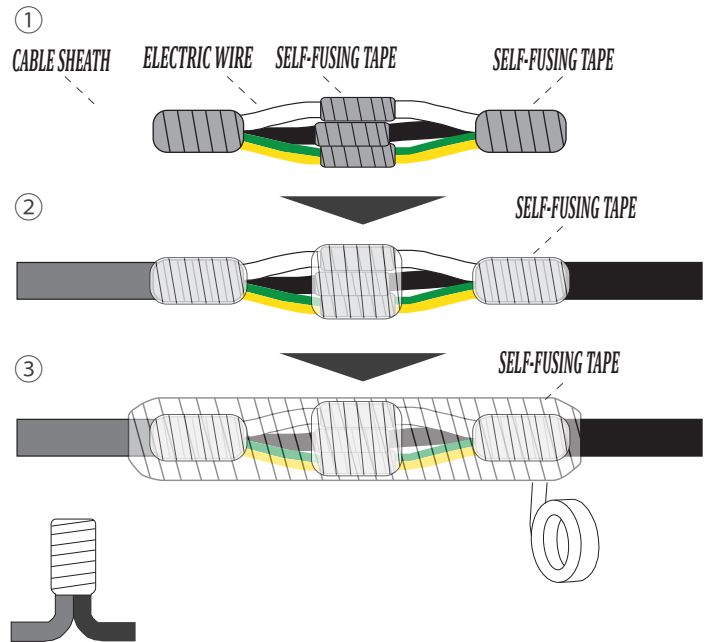
Confirm that the lamp is properly fitted, with no gaps or misalignment, then use the included M4 screws to secure the lamp body to the mounting plate.



Connect the lead wires from the device to the power cable. Ensure secure connections using sleeves (connectors), self-fusing tape, insulating tape, etc., in accordance with electrical equipment standards and indoor wiring regulations.

Please refer to the illustration on the left to ensure correct polarity connection.

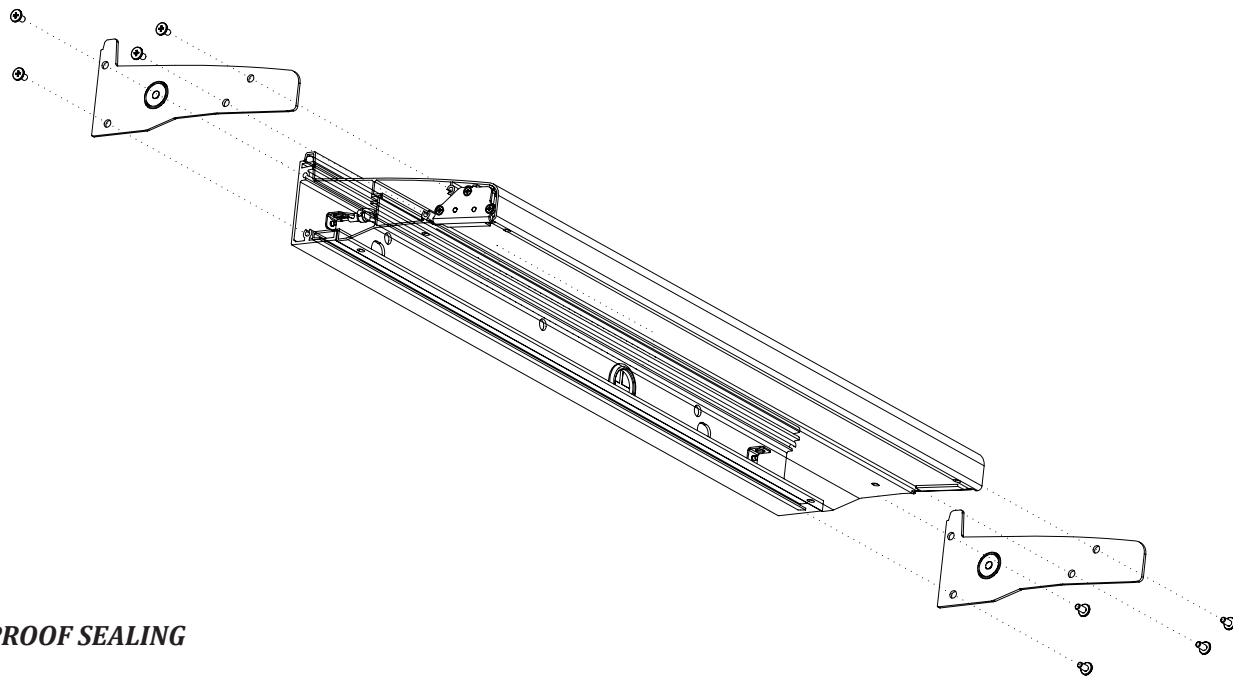
D-type grounding must be properly implemented.



**6. INSTALLATION PROCEDURE**

**7. INSTALL THE SIDE PANEL**

Use the included M4 screws to secure the side panel to the lamp body.

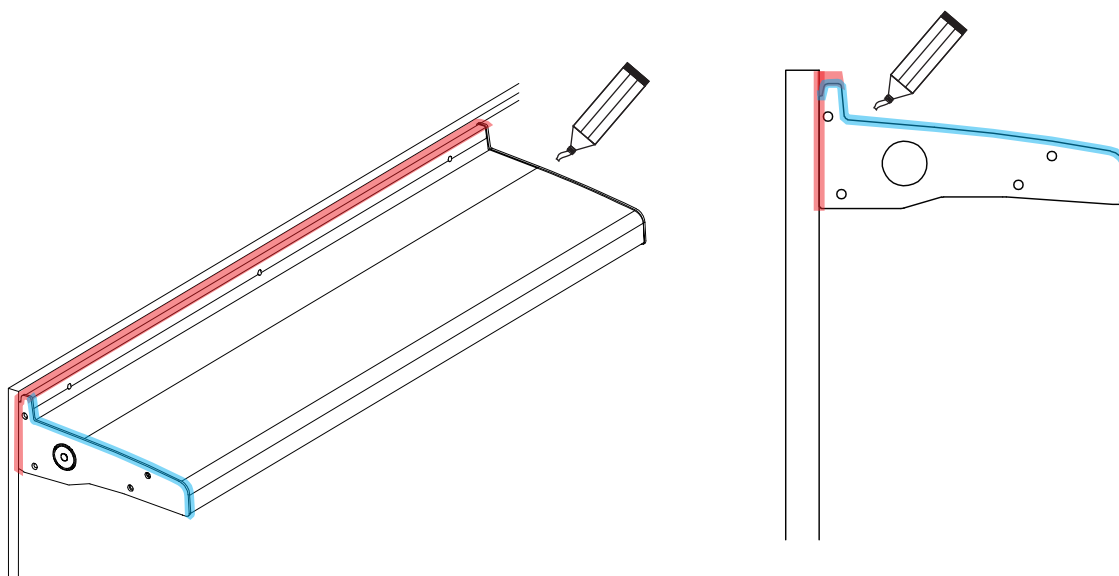


**WATERPROOF SEALING**

Perform waterproof sealing at the following locations:

- ① The boundary between the wall and the lamp
- ② The edges of the side panel

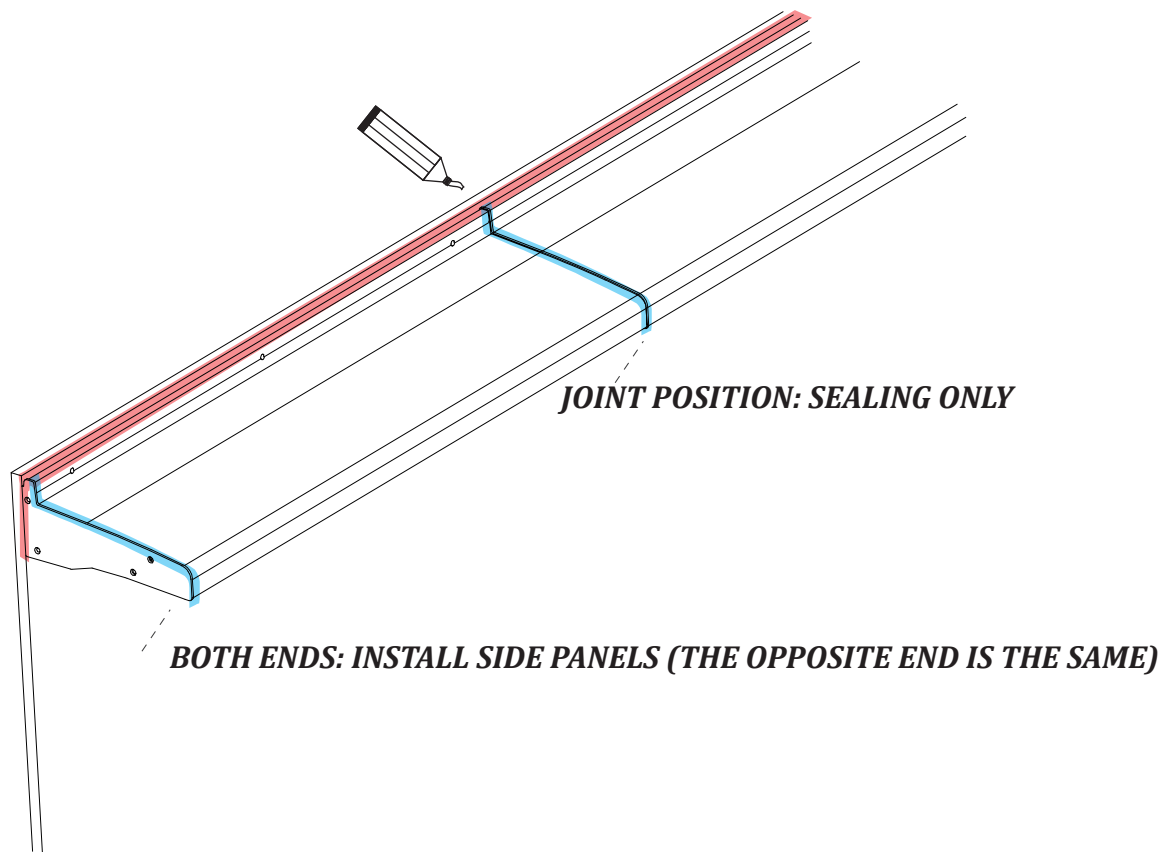
*Do not seal the hole at the bottom, as it is a drainage hole.*



## INSTALLATION PROCEDURE

### 9. WHEN INSTALLING MULTIPLE UNITS

*When installing two or more lamp bodies side by side, do not use the side panels at the joints; only perform sealing (waterproofing) at those positions.*



#### POST-INSTALLATION CHECK

*Installation is complete. Power must be supplied to confirm that the lamp lights up properly.  
Please hand over the printed QR code sheet for the WEB manual to the end user.*



## **7 Dear customers**

### **ABOUT PRODUCT LIFESPAN**

*The lifespan of LED lights is significantly affected by the ambient operating temperature.*

*The design lifespan of 40,000 hours for this product is based on use in an environment with a temperature of  $\leq 25^{\circ}\text{C}$ .*

*Operation in environments with oil mist, steam, above furnaces, or near roofs exposed to direct sunlight in summer may reduce the product's lifespan.*

### **About the lighting duration**

*Do not leave the light on continuously for 24 hours a day. Doing so may cause damage or reduce the product's lifespan.*

### **cleaning**

*If oil dust, dirt, or sawdust accumulates on the lamp, the LED will not be able to dissipate heat properly, which may lead to damage or reduced lifespan. Therefore, please clean the lamp periodically using a dry cloth or a diluted neutral detergent.*

### **To protect against lightning**

*This product has surge resistance up to 2 kV; however, since LED lights use many semiconductor components, they are more sensitive compared to traditional mercury lamps.*

*Damage caused by lightning is not covered under warranty, so please request the contractor to install lightning protection devices for the lighting circuit.*