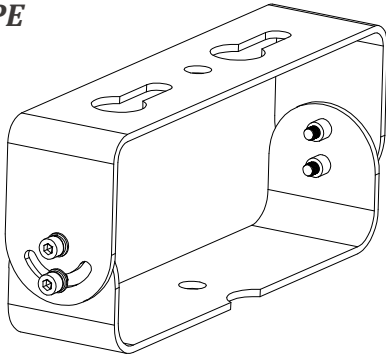
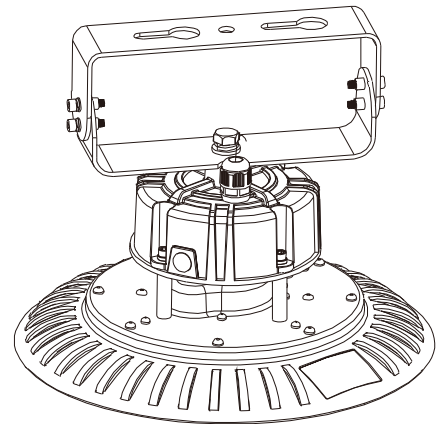


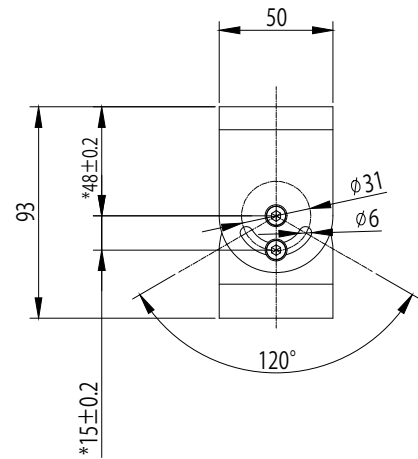
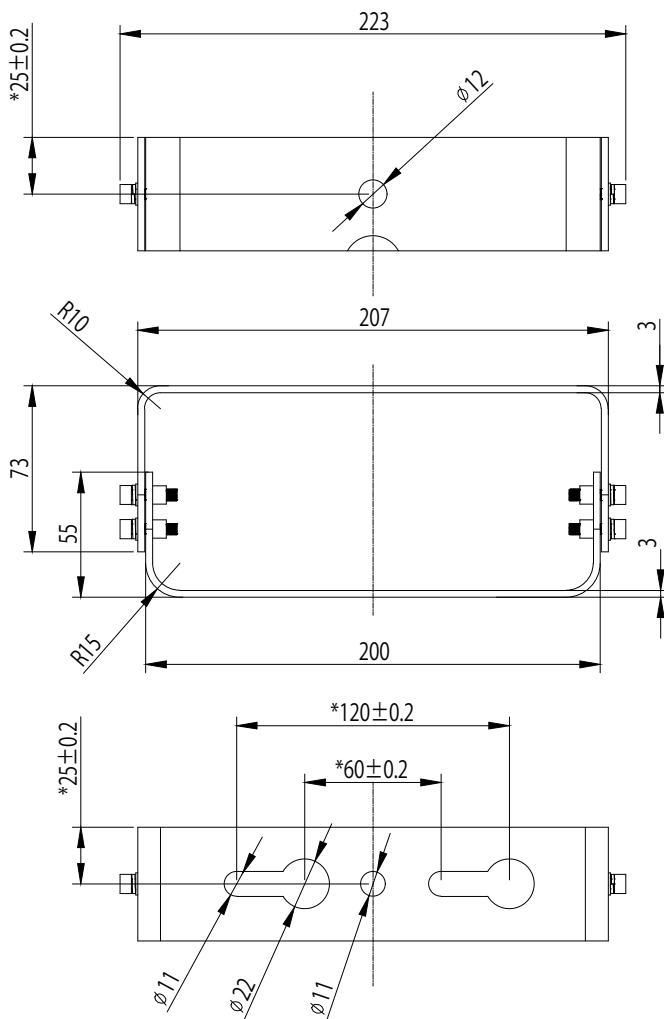
SHAPE



CONFIGURATION WHEN INSTALLING THE MAIN UNIT



TECHNICAL DRAWING



TECHNICAL SPECIFICATIONS

MATERIAL	SPCC
PLATE THICKNESS	3mm
COLOR	BLACK
COATING / PAINT FINISH	ELECTROPLATING + POWDER COATING
WEIGHT	0.75KG

SIZE
A4

PRODUCT NAME
U-SHAPED ARM FOR UN-C3
□UN-C3-BR1

UN-C3-BR1-001

NIKKEN HARDWARE