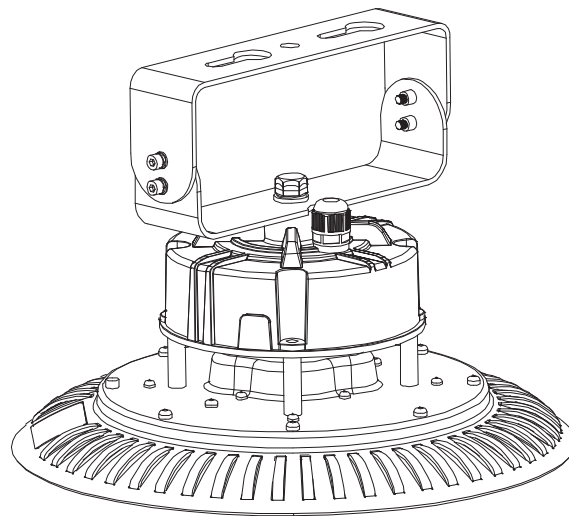


INDOOR USE ONLY **HIGH-CEILING LED LIGHT**

UN-C3

USER MANUAL



UN-C3-LOW (100W) | UN-C3-HIGH (150W) | UN-C3-BR-1 (MOUNTING BRACKET / INSTALLATION ACCESSORIES)





**THANK YOU FOR PURCHASING A NIKKEN HARDWARE PRODUCT.
TO ENSURE THIS PRODUCT IS INSTALLED AND USED CORRECTLY AND SAFELY,
PLEASE READ THIS USER MANUAL CAREFULLY.**

TABLE OF CONTENTS

PRECAUTIONS FOR USE	P.1
TECHNICAL SPECIFICATIONS	P.2
DIMENSIONAL DRAWINGS	P.3
INSTALLATION PROCEDURE	P.4-P.6
FOR END USERS	P.7



ABOUT WARNING SIGNS

-  **WARNING: MAY CAUSE SERIOUS ACCIDENTS**
-  **CAUTION: MAY CAUSE PRODUCT DAMAGE OR INJURY**
-  **PROHIBITION: PROHIBITED ACTIONS TO BE AWARE OF**
-  **CONFIRMATION: ITEMS THAT MUST BE CHECKED AND NOTED**

1. NOTES FOR USE

※※※ THIS PRODUCT IS INTENDED FOR INDOOR USE ONLY. DO NOT USE OUTDOORS. ※※※

▲ WARNING

INSTALL THE PRODUCT ON A STRUCTURALLY SOUND SURFACE THAT CAN WITHSTAND VIBRATION AND STRONG WIND. IF NOT SUFFICIENTLY SECURE, REINFORCE OR PROVIDE ADDITIONAL FOUNDATION.

▲ WARNING

DO NOT USE IN THE FOLLOWING ENVIRONMENTS:

**TEMPERATURE OR HUMIDITY EXCEEDING SPECIFICATIONS
LOCATIONS WITH STRONG VIBRATION OR IMPACT
CORROSIVE OR FLAMMABLE GAS ENVIRONMENTS
OILY FOG ENVIRONMENTS
FLOODING OR SUBMERGED AREAS
EXPOSURE TO FLAMMABLE MATERIALS
AREAS BLOCKED BY GRASS, VEGETATION, INSULATION, OR SOUNDPROOFING MATERIALS
INSTALLATION TOO CLOSE TO OBJECTS (MINIMUM DISTANCE: 15 CM)
LOCATIONS WHERE PEOPLE CAN EASILY TOUCH THE PRODUCT**

▲ WARNING

POWER CONNECTION MUST BE PERFORMED ACCORDING TO THE USER MANUAL.

▲ CAUTION

DURING INSTALLATION:

**INSTALLATION SURFACE MUST BE STABLE, NON-CORRODED, AND NOT DEGRADED OVER TIME
PREVENT LIGHT LEAKAGE THAT MAY CAUSE LIGHT POLLUTION TO SURROUNDING AREAS**

▲ CAUTION

DO NOT OPERATE CONTINUOUSLY FOR 24 HOURS → THIS WILL REDUCE PRODUCT LIFESPAN.

▲ CAUTION

DAMAGE CAUSED BY LIGHTNING IS NOT COVERED BY WARRANTY. USE A LIGHTNING PROTECTION SWITCH OR CIRCUIT PROTECTION DEVICE.

▲ CAUTION

POWER CABLE MUST BE RNCT RUBBER CABLE 0.75 (2-CORE) OR EQUIVALENT.

○ PROHIBITION

**INSTALLATION AND WIRING MUST BE PERFORMED BY CERTIFIED PERSONNEL.
NON-CERTIFIED PERSONNEL ARE PROHIBITED BY LAW.**

PROHIBITION

DO NOT CONNECT TO DIMMERS, BALLASTS, IGNITERS, OTHER POWER SOURCES, OR MOTION SENSORS.

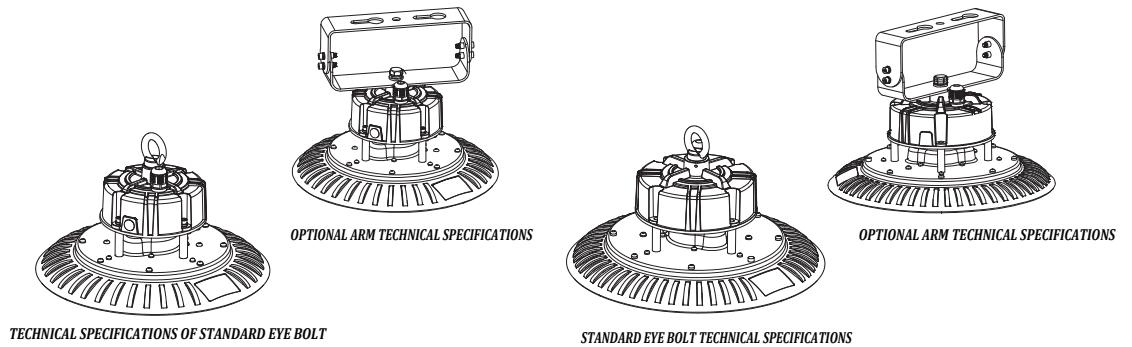
CONFIRMATION

LED LIFESPAN DEPENDS ON AMBIENT TEMPERATURE. USE IN OILY FOG, STEAM, OR DIRECT SUNLIGHT WILL INCREASE TEMPERATURE AND REDUCE LIFESPAN.

● CONFIRMATION

DUST, OIL, OR WOOD PARTICLES ON THE PRODUCT WILL REDUCE HEAT DISSIPATION → MAY CAUSE DAMAGE OR SHORTEN LIFESPAN. CLEAN PERIODICALLY WITH A DRY CLOTH OR MILD SOLUTION.

2. TECHNICAL SPECIFICATIONS

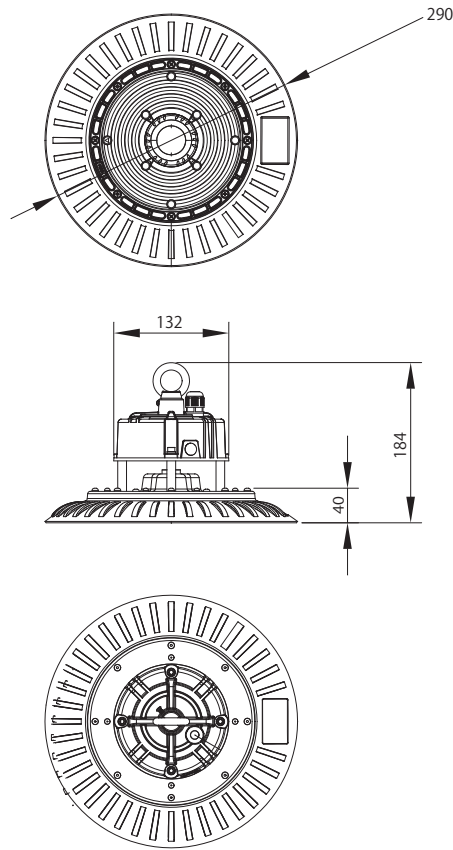


MODEL CODE	UN-C3-LOW	UN-C3-HIGH
COLOR	<i>Back</i>	
BEAM ANGLE	120°	
POWER CONSUMPTION	100W (±5%)	150W (±5%)
TOTAL LUMINOUS FLUX	18,000lm	27,000lm
LIGHT COLOR	5,000K	
COLOR RENDERING INDEX (Ra)	Ra70	
CURRENT	100V:1.0A/200V:0.53A	100V:1.5A/200V:0.79A
INPUT VOLTAGE	AC100V-240V	
POWER FACTOR (PF)	>0.92	
WITHSTAND VOLTAGE	NORMAL MODE: 6KV COMMON MODE: 6KV	
FIXTURE WEIGHT	1.91kg	2.33kg
SENSOR WEIGHT	750G (UN-C3-BR1: OPTIONAL ACCESSORY)	
POWER CABLE LENGTH	1.5M	
WATERPROOF RATING	IP54	
IMPACT RESISTANCE RATING	IK07	
CERTIFICATION & TESTING	PSE, EC60068-2-6	
DESIGN LIFETIME	50,000 HOURS (AT 25°C)	
OPERATING TEMPERATURE	-30°C ~ 45°C (RH < 90%)	
WARRANTY	3 year	
MATERIAL	BODY: ALUMINUM, LIGHT-EMITTING SURFACE: ACRYLIC, SENSOR: SUS	
INCLUDED ACCESSORIES	USER MANUAL *1, SAFETY CABLE *2, SCREWS *2, WEB REGISTRATION QR CODE SHEET *1	

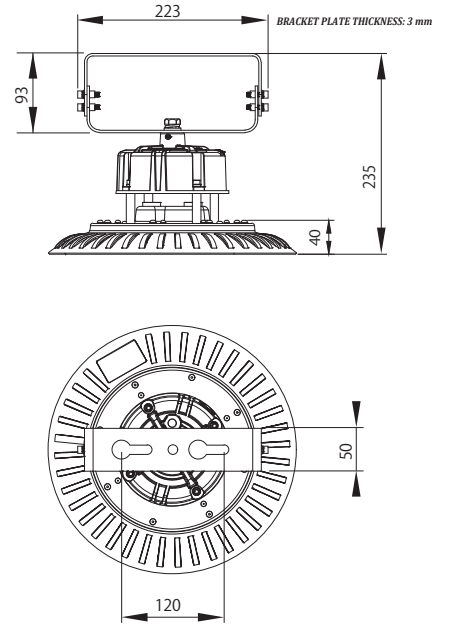
UN-C3-LOW: M10 EYE BOL UN-C3-HIGH: M12 EYE BOLT

3. DIMENSIONAL DRAWING

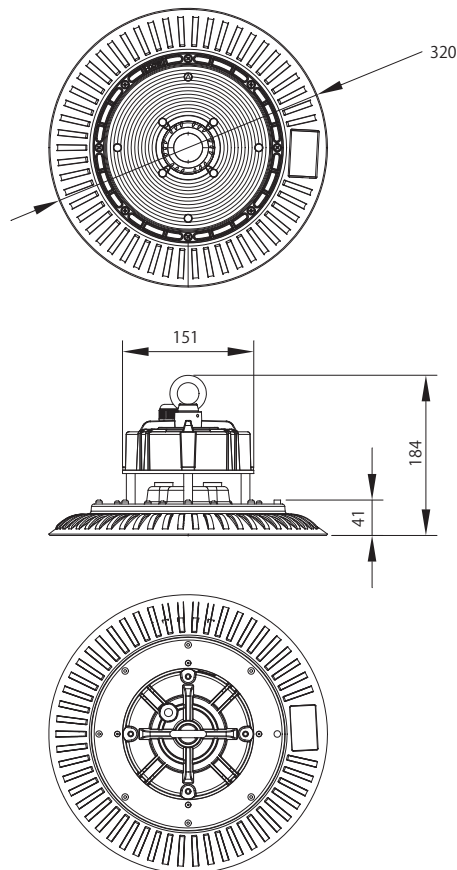
UN-C3-LOW STANDARD EYE BOLT TECHNICAL SPECIFICATIONS



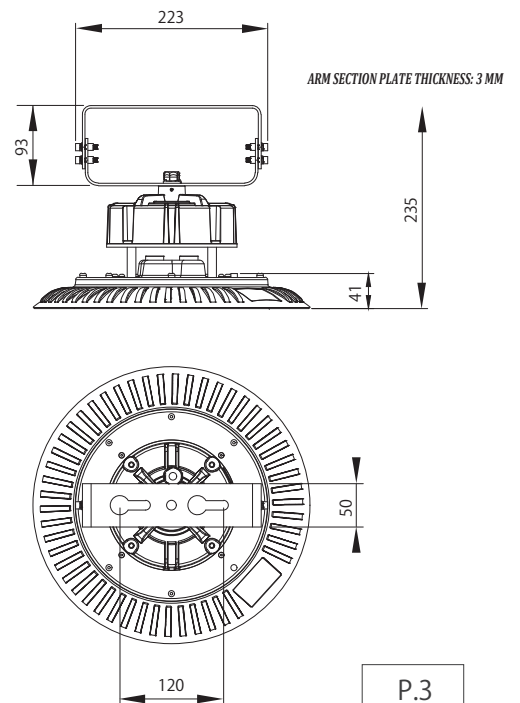
UN-C3-LOW STANDARD EYE BOLT TECHNICAL SPECIFICATIONS



UN-C3-HIGH STANDARD EYE BOLT TECHNICAL SPECIFICATIONS



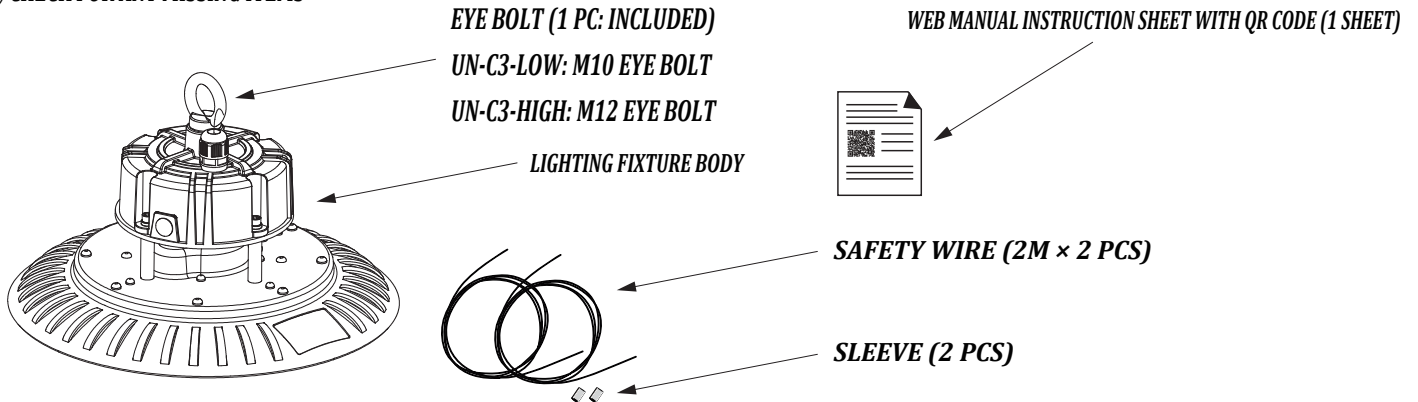
UN-C3-HIGH OPTIONAL ARM TECHNICAL SPECIFICATIONS



PRODUCT FEATURES

4-1. PRE-INSTALLATION INSPECTION (IMMEDIATELY AFTER RECEIVING THE PRODUCT)

① CHECK FOR ANY MISSING ITEMS



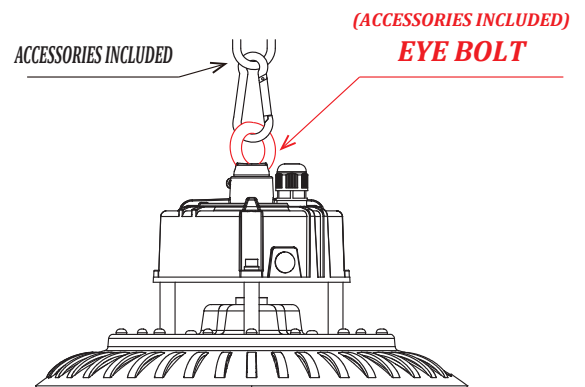
② LIGHT OPERATION CHECK

SUPPLY POWER THROUGH THE WIRING AND CHECK WHETHER THE LIGHT OPERATES NORMALLY.

4-2. IN THE CASE OF CEILING SUSPENSION USING A CHAIN

① INSTALLATION OF EYE BOLT

THE EYE BOLT IS INCLUDED WITH THE DEVICE.
INSTALL THE BOLT INTO THE BOLT HOLE ON THE TOP SURFACE OF THE DEVICE AS SHOWN ON THE RIGHT.
AFTER INSTALLATION, TIGHTEN SECURELY TO PREVENT LOOSENING.



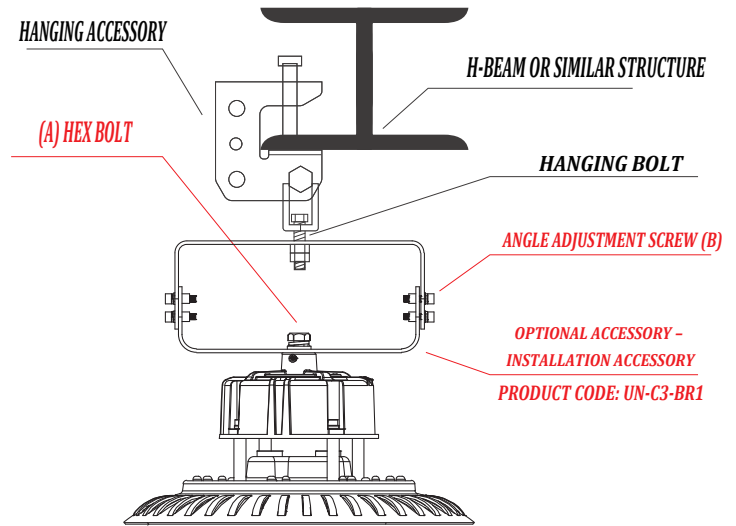
② CHAIN CONNECTION

THE CHAIN IS NOT INCLUDED WITH THE DEVICE.
USE A CHAIN WITH SUFFICIENT LOAD CAPACITY FOR THE LIGHT WEIGHT AND CONNECT IT TO THE EYE BOLT.

4-3. IN THE CASE OF HANGING FROM AN H-BAR USING HANGING ACCESSORIES, OPTIONAL INSTALLATION ACCESSORIES ARE REQUIRED.

① FIXING ACCESSORIES AND LAMP BODY

FIX THE INSTALLATION ACCESSORIES (OPTIONAL) TO THE LIGHTING FIXTURE BODY.
TIGHTLY FASTEN THE HEX BOLT ATTACHED WITH THE INSTALLATION ACCESSORIES INTO THE BOLT HOLE AT THE TOP OF THE LAMP BODY. FIGURE (A)
YOU CAN ADJUST THE LIGHTING DIRECTION WITHIN $\pm 60^\circ$ USING THE ANGLE ADJUSTMENT SCREW OF THE INSTALLATION ACCESSORIES.
TIGHTEN THE ANGLE ADJUSTMENT SCREW SECURELY. FIGURE (B)



② INSTALLATION OF LIGHTING EQUIPMENT

USE COMMERCIAL HANGING ACCESSORIES OR HANGING BOLTS
TO FIX IT TO THE FRAME AS SHOWN IN FIGURE H OR OTHER STRUCTURES.
INSERT THE HANGING BOLT INTO THE HOLE IN THE CENTER
OF THE INSTALLATION ACCESSORY AND SECURE IT
WITH DOUBLE NUTS TO PREVENT LOOSENING.
PLEASE USE M10, M12 OR 4-POINT (4-PHÂN) BOLTS.

※ EVEN IN INDOOR LOCATIONS AFFECTED BY STRONG WIND, USE WIND-RESISTANT HANGING ACCESSORIES OR ANTI-VIBRATION BRACKETS.

4-4. IN THE CASE OF WALL INSTALLATION OPTIONAL INSTALLATION ACCESSORIES ARE REQUIRED.

① FIXING INSTALLATION ACCESSORIES AND LAMP BODY

REFER TO SECTION 4-3 AND FIX THE INSTALLATION ACCESSORIES TO THE LIGHTING FIXTURE BODY.

② WALL INSTALLATION

USE THE 2 MOUNTING HOLES OF THE ACCESSORY TO SECURE IT TO THE WALL OR OTHER SURFACES WITH M10 BOLTS.
ENSURE THE SUPPORT STRUCTURE IS SECURE.

ENSURE THE LAMP BODY DOES NOT CONTACT THE STRUCTURE.
USE THE ANGLE ADJUSTMENT SCREW TO ADJUST THE LIGHTING DIRECTION.
THE LIGHTING DIRECTION ADJUSTMENT IS LIMITED TO UP AND DOWN ONLY, AND CAN BE ADJUSTED $\pm 60^\circ$ FROM THE HORIZONTAL POSITION.



4-5. POWER CABLE CONNECTION

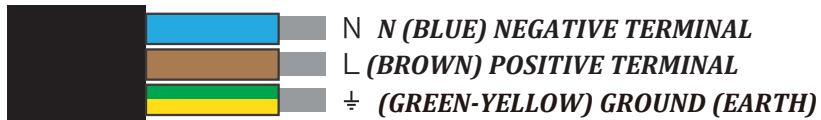
CONNECT THE DEVICE WIRING TO THE POWER CABLE

ENSURE A SECURE CONNECTION USING SLEEVES, SELF-FUSING

TAPE, INSULATION TAPE, OR SIMILAR MATERIALS.

REFER TO THE DIAGRAM BELOW TO IDENTIFY POLARITY.

IN ADDITION, PERFORM GROUP D WORK IN ACCORDANCE WITH THE REGULATIONS.



CABLE FROM THE DEVICE



4-6. SAFETY WIRE INSTALLATION

PASS THE ATTACHED ANTI-DROP WIRE THROUGH THE HEAT DISSIPATION SLOT AND THE STRUCTURE, FORM A LOOP, AND SECURE IT WITH THE PROVIDED SLEEVE.

CRIMP THE SLEEVE FIRMLY USING WIRE ROPE CRIMPING PLIERS.

TWO ATTACHED WIRES ARE PROVIDED; ENSURE BOTH WIRES ARE FULLY INSTALLED.



4-7. POST-INSTALLATION INSPECTION

COMPLETE THE INSTALLATION PROCESS. TURN ON THE POWER AND CHECK THAT THE LIGHT IS OPERATING.

HAND OVER THE DOCUMENT WITH THE QR CODE LINKING TO THE WEB MANUAL TO THE USER.

5. SAFETY WIRE INSTALLATION

REGARDING PRODUCT LIFESPAN

**THE SERVICE LIFE OF LED LAMPS IS GREATLY AFFECTED BY THE OPERATING AMBIENT TEMPERATURE
THE DESIGNED LIFETIME OF 50,000 HOURS FOR THIS PRODUCT APPLIES WHEN USED IN AN AMBIENT TEMPERATURE BELOW 25°C.
OPERATION IN ENVIRONMENTS WITH OIL MIST, VAPOR, COLD STORAGE FACILITIES, OR NEAR ROOFS
EXPOSED TO DIRECT SUNLIGHT IN SUMMER MAY REDUCE THE SERVICE LIFE.**

REGARDING LIGHTING TIME

**DO NOT OPERATE THE LIGHT CONTINUOUSLY FOR 24 HOURS PER DAY. THIS MAY CAUSE
DAMAGE OR REDUCE THE PRODUCT LIFESPAN.**

REGARDING CLEANING

**IF OIL MIST, DUST, WOOD CHIPS, ETC. COVER THE LIGHTING EQUIPMENT,
THE LED WILL NOT DISSIPATE HEAT PROPERLY, WHICH MAY CAUSE DAMAGE OR
REDUCE ITS SERVICE LIFE. THEREFORE, REGULARLY WIPE DRY OR CLEAN
THE DEVICE WITH A NEUTRAL DETERGENT.**

TO PROTECT AGAINST LIGHTNING

**THIS PRODUCT HAS SURGE WITHSTAND CAPABILITY UP TO 6KV. HOWEVER, LED LAMPS USE MANY
SEMICONDUCTOR COMPONENTS, SO COMPARED WITH TRADITIONAL MERCURY LAMPS, THEY ARE
MORE VULNERABLE TO LIGHTNING DAMAGE. DAMAGE CAUSED BY LIGHTNING IS NOT COVERED
BY WARRANTY. THEREFORE, PLEASE REQUIRE THE INSTALLER TO IMPLEMENT PROTECTION
MEASURES SUCH AS SURGE PROTECTION SWITCHES IN THE ELECTRICAL CIRCUIT.**