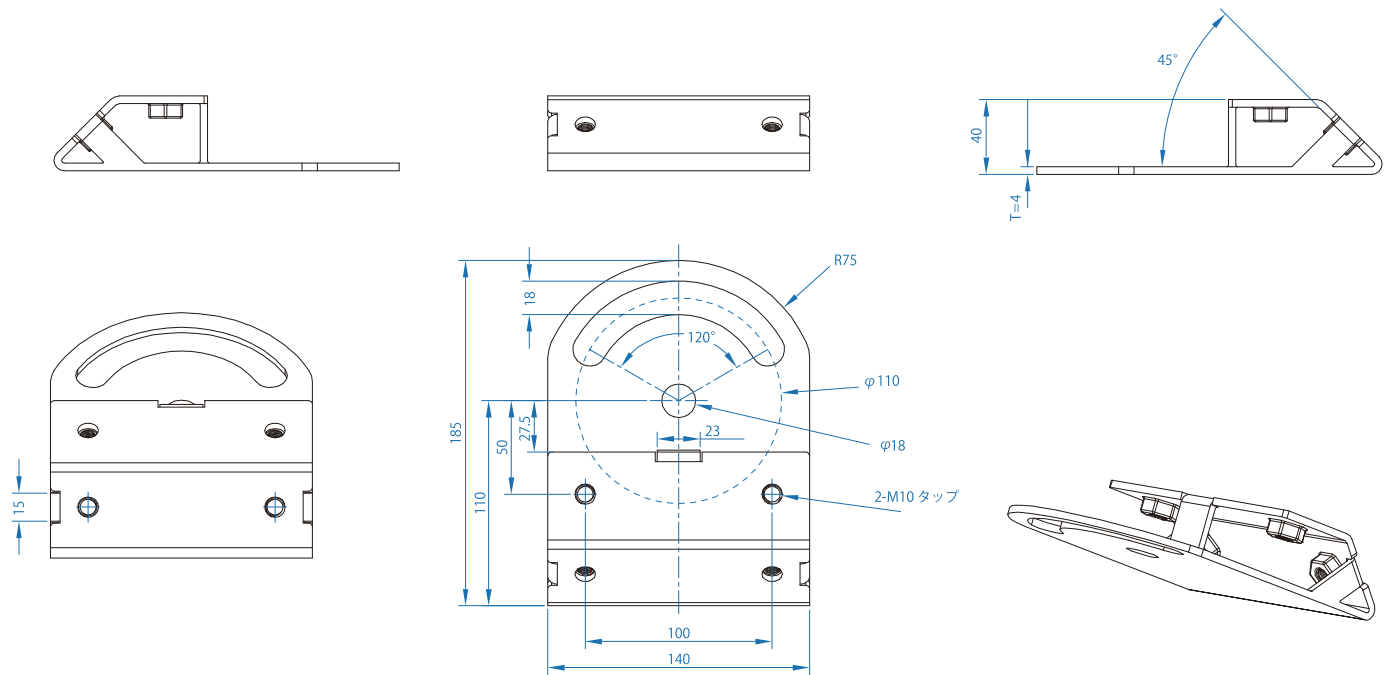


## Drawing



## Specs sheet

Product Name	Arm for upper mounting of VF signboard	
Product Code	VF-BR2D-B	VF-BR2D-W
Color	Black	White
Weight	1.1kg	
Material	Arm: SUS, Base plate: SUS	
Accessories	Wire 4 m, 2 M10 bolts for floodlight mounting	

SIZE  
A4

Product  
Name

2-axis rotation base for Subview Floodlight

VF-BR2D-B  VF-BR2D -W

VF-BR2D-002

NIKKEN HARDWARE 

Please refer to the instruction manual included with the floodlight.

## installation

### (1) Temporarily fix the 2-axis rotation base to the structure

Use the two holes of the 2-axis base to temporarily fix it to the structure such as a wall or floor.

Bolts and washers for fixing to the structure are not included.

Recommended bolts: 5 mm bolts or M16 bolts.

The base should be temporarily fixed to allow adjustment of the irradiation direction later.

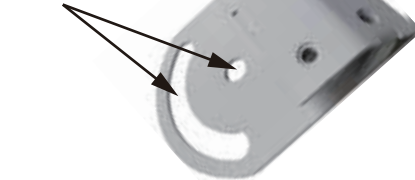
### (2) Fix the floodlight to the 2-axis rotation base

The mounting surface of the floodlight has two positions, Position A and Position B, as shown in the figure.

Normally, mount at Position A.

If you want the light to illuminate directly beneath the frame, use Position B. Secure the floodlight to the 2-axis rotation base with the two bolts provided.

Ố ĐÁY



Position A



Position B



### (3) Wiring and angle adjustment

Decide the left-right orientation of the temporarily fixed 2-axis rotation base and fully tighten the bolts to secure it to the structure.

Connect the floodlight's output wires to the power supply.

Turn on the power.

While observing the actual light distribution, adjust the tilt angle of the floodlight and finalize its position.



N (Shiro) Negative  
L (Kuro) Positive  
+ (Midori) Earth

Perform the installation carefully, ensuring that the wiring connections are protected against water ingress.

To prevent water from entering the wires due to capillary action, apply tape treatment as necessary.

Always perform Class D grounding.

Secure connections firmly with insulating tape or equivalent.

Refer to the figure on the left for correct polarity.

Connect the output wires of the lighting fixture to the power supply wires, using sleeves and self-fusing tape as needed.

### (4) Wire Installation

Perform wire installation referring to the instruction manual provided with the floodlight.

The wire is included with the floodlight.