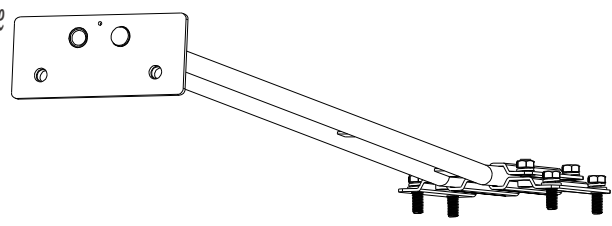
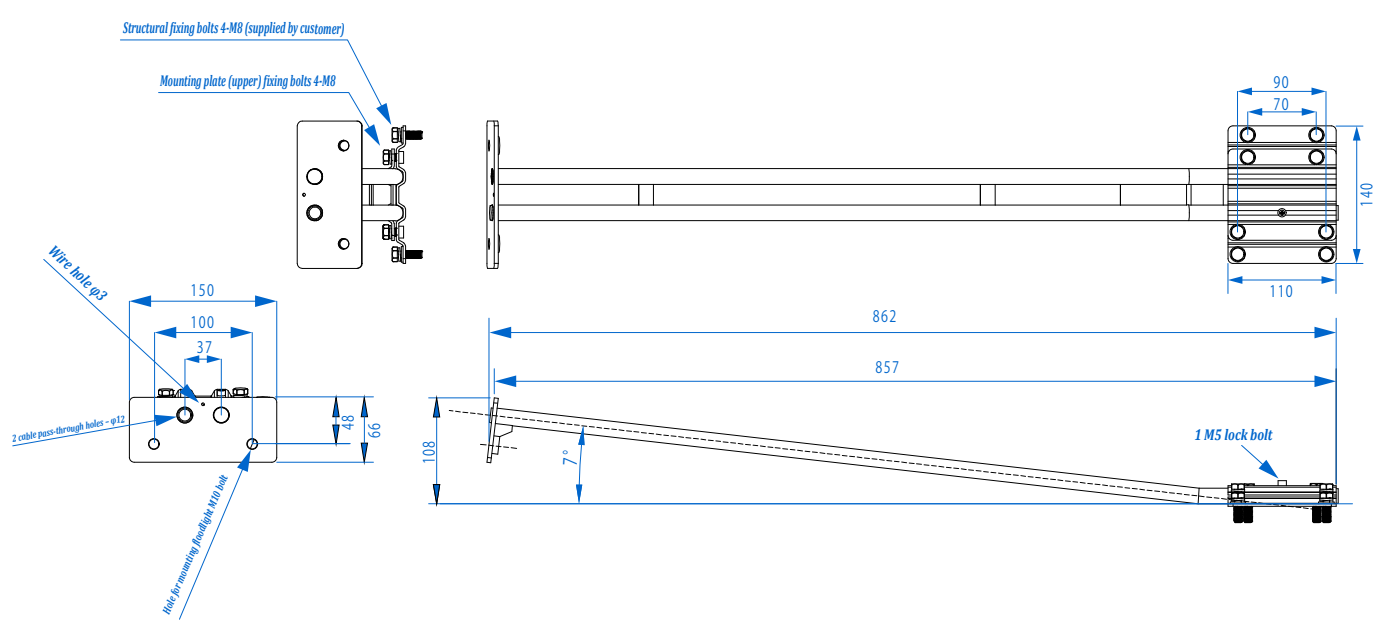


Outline drawing of the machine



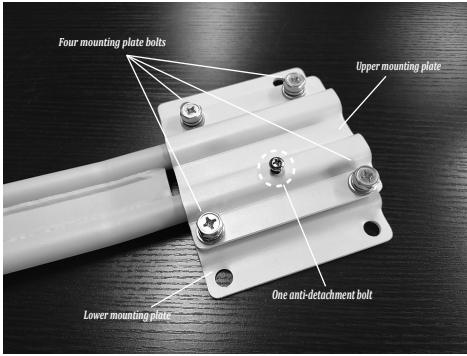
drawing



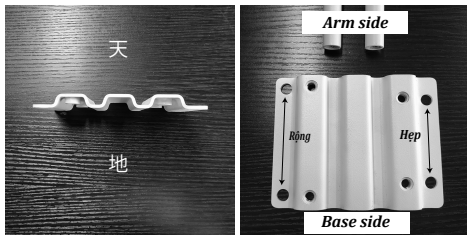
Specs sheet

| | | |
|--------------|---|-----------|
| Product Name | Arm for upper mounting of VF signboard | |
| Product Code | VF-BRST-B | VF-BRST-W |
| Color | Black | White |
| Weight | 2.1kg | |
| Material | Arm: SUS, Base plate: SUS | |
| Accessories | Wire 4 m, 2 M10 bolts for floodlight mounting | |

| | | | | |
|------------|--------------|---|-------------|-----------------|
| SIZE A4 | Product Name | Arm for upper mounting of View Flood signboard | VF-BRST-001 | NIKKEN HARDWARE |
| | | <input type="checkbox"/> VF-BRST-B <input type="checkbox"/> VF-BRST-W | | |

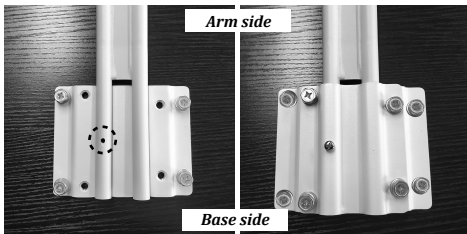


1) **Remove the bolts and separate the parts.**
 From the packaged state, remove the 4 mounting plate bolts and detach the lower mounting plate. Do not remove the anti-drop bolt (1 pc); keep it attached to the upper mounting plate.



2.) **Fix the mounting plate (lower) to the structure**
 Secure the mounting plate (lower) to the structure using four M8 bolts, paying attention to the top/bottom and left/right orientation.

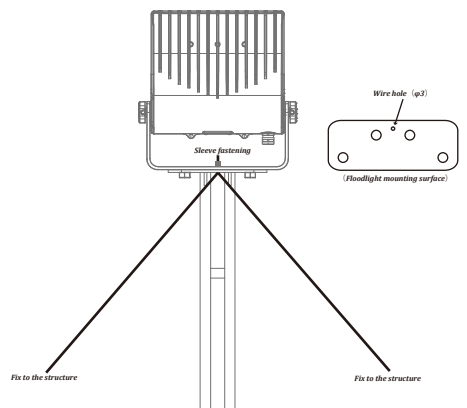
Bolts for fixing to the structure are not included. Please prepare M8 bolts on your side according to the structure of the mounting surface. Install the plate so that the side with the wider bolt pitch is on the left side when facing the arm.



3.) **Secure the upper mounting plate and the arm**
 Place the arm so that the hole for the anti-detachment bolt faces the left side toward the arm, and secure it by sandwiching it with the upper mounting plate. After fixing the upper and lower mounting plates together using the four mounting plate bolts, tighten one anti-detachment bolt so that it passes through the arm pipe.



4.) **Installing the floodlight**
 Remove the rubber cap on the left side of the mounting surface of the floodlight and pass the floodlight's power cable through it. Secure the floodlight to the arm using the two included M10 bolts for floodlight mounting. For more details on installing the floodlight, please refer to the floodlight's instruction manual.



5.) **Wire installation**
 Separate from the anti-fall wire of the floodlight body, install the arm's sway-prevention wire using the wire provided with the arm. Refer to the left diagram and use the wire holes on the floodlight mounting surface to secure the arm to the structure. Fix the sections of the wire passed through the holes with sleeves to prevent slippage. If there is any slack, the effectiveness will be reduced, so make sure to pull the wire tight while securing it.