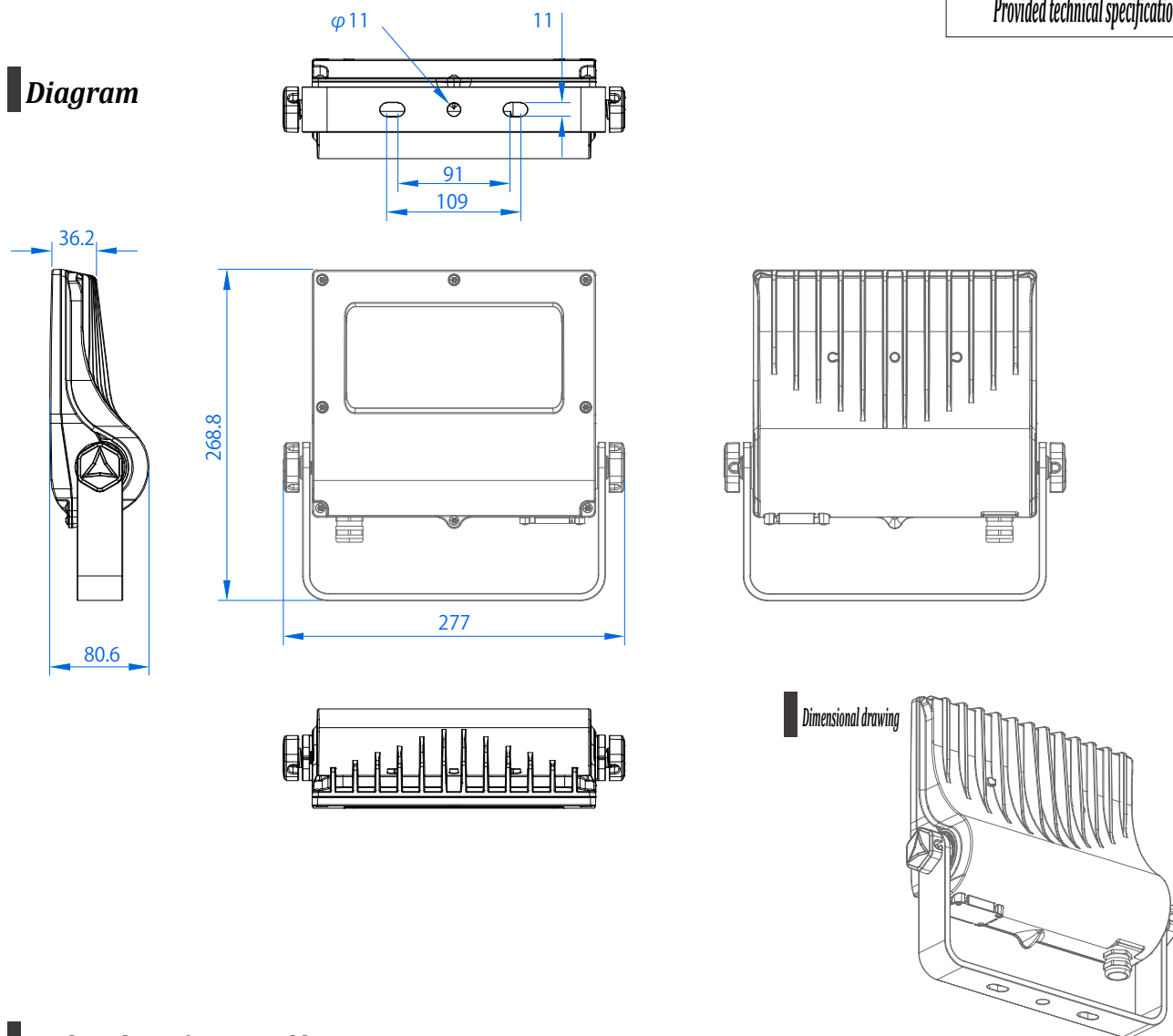


Diagram



Technical specifications table

Product code	VF40-B	VF40-B/27	VF40-W	VF40-W/27	VF40NR-B	VF40NR-B/27	VF40NR-W	VF40NR-W/27
Beam angle	Wide beam angle: 105°				Narrow beam angle: 30°			
Color	Black		White		Black		White	
Power consumption	40W							
Total luminous flux (lumen)	4,650lm	4,350lm	4,650lm	4,350lm	5,550lm	4,550lm	5,550lm	4,550lm
Color temperature	5,000K	2,700K	5,000K	2,700K	5,000K	2,700K	5,000K	2,700K
Color rendering index (CRI)	Ra70							
Current	0,4 A (100V) / 0,2 A (200V)							
Input voltage	AC100V ~ AC240V							
Power factor	0,9							
Weight	2.7 kg (including bracket)							
Protection rating (IP)	IP65							
Design lifespan	50,000 hours (at 25°C)							
Operating temperature	-25°C ~ 40°C							
Voltage withstand capability	Normal mode: 2 kV / Common mode: 4 kV							
Lead wire length	2 m							
Test certification	PSE, vibration test (IEC60068-2-6), salt spray test (ISO9227)							
Warranty period	3 years							
Included accessories	User manual, safety wire (4 m), water & dust resistance test (IP65)							

SIZE A4	Product code	Đèn pha LED - ViewFlood				VF40-004	NIKKEN HARDWARE
		<input type="checkbox"/> VF40-B	<input type="checkbox"/> VF40-W	<input type="checkbox"/> VF40NR-B	<input type="checkbox"/> VF40NR-W		
		<input type="checkbox"/> VF40-B/27	<input type="checkbox"/> VF40-W/27	<input type="checkbox"/> VF40NR-B/27	<input type="checkbox"/> VF40NR-W/27		

Use and maintenance

Please hand over this user manual to the end user.



LED Floodlight View Flood VF40 User & Installation Manual

Electrical wiring and installation must be carried out by a licensed electrician (authorized contractor). Unqualified persons must not perform electrical installation, in accordance with legal regulations.

Install the device in a secure location that can withstand weight, wind, and vibration.

Do not touch while the light is on; it becomes hot and may cause burns.

Do not cover with plants, insulation, or soundproof materials (fire risk).



Ensure electrical connections follow the instructions; improper wiring may cause fire or electric shock.

Do not modify or alter the device.

**CẢNH
BÁO**

Do not use under the following conditions:

- Temperature or humidity beyond specified limits
- Strong vibration or impact
- Presence of corrosive or flammable gases
- Heavy oil mist
- Water exposure or submersion
- Contact with combustible materials

Using under these conditions may cause fire, electric shock, or the device to fall.

This product is for high-position installation. Before installing, check that the light operates normally and verify the correct product, quantity, and no defects.

Do not use continuously for long periods, as it will significantly shorten its lifespan.

Damage caused by lightning is not covered by warranty. Install surge protection for the circuit.



**CHÚ
Ý**

Do not connect to dimmers, ballasts, igniters, motion sensors, etc., as this may damage the light.

Use electrical cables of equal or higher quality than specified.

Keep the power cable away from other components.

Do not illuminate objects at very close range (fire risk).

Check to prevent light pollution from light leakage.

Use only in normal environments and install carefully according to the instructions.

■ **Lightning Protection**

LED lights use semiconductor components, so they are more susceptible to lightning than incandescent or mercury lamps.

The product can withstand surge voltages up to 4,000 V, but lightning damage is not covered by warranty.

Install surge protection devices (lightning breakers) for the lighting circuit.

**GỬI
KHÁCH
HÀNH**

Cleaning

Oil smoke, dust, or wood particles can prevent proper heat dissipation and cause damage.

Clean regularly with a dry cloth or diluted neutral detergent.

Operating Time

Do not operate continuously 24 hours a day, as it may cause damage or shorten lifespan.

Product Lifespan

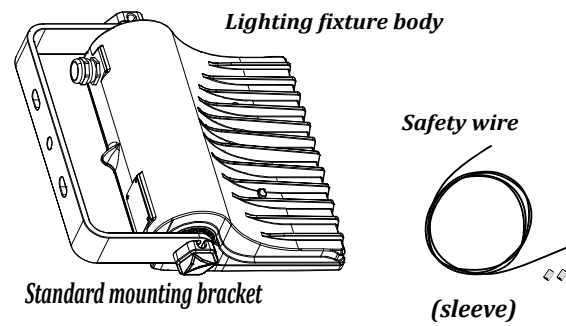
LED lifespan depends greatly on ambient temperature.

Rated lifespan of 50,000 hours applies at ≤ 25°C.

Use in environments with oil mist, steam, furnaces, or direct summer sunlight will shorten lifespan.

① Inspection upon unpacking

This product is intended for high-level installation.
Please inspect it in advance, before the installation date, to allow sufficient time for any necessary adjustments or handling.



- × 1 set
- × 1 set (temporarily attached to the fixture)
- × 4 m cable × 1, crimp sleeves × 2

Lighting operation check
Supply power and check that the light turns on stably without flickering, ensuring normal operation.

Check included accessories

Lighting fixture body
Standard mounting bracket
Safety wire (fall-prevention cable)

② Installation method

■ Check mounting surface

Ensure the bolt mounting position (wall, floor, bracket, support, etc.) is strong enough to support the light's weight.

■ Installation

Use the two slotted holes on the standard bracket (pre-installed) and fix securely with M10 bolts or equivalent.

For sign lighting brackets, the center round hole can be used to route the cable.

For ceiling suspension, use the center hole with suitable hanging hardware and fix to steel structures (H-beam, C-channel).

■ Beam angle adjustment

The light can rotate 360°, in 10° increments.

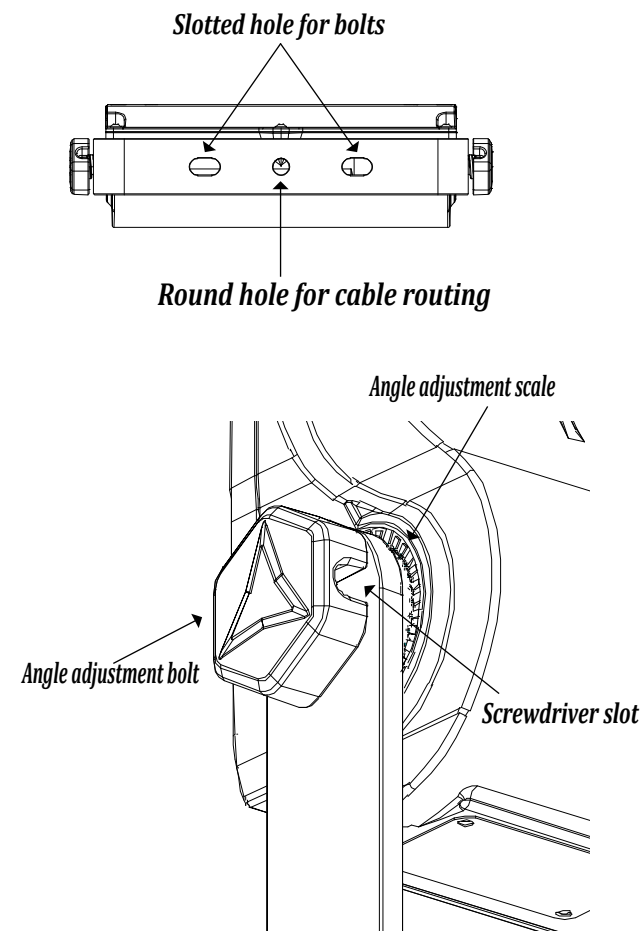
Each marking equals 10°.

Loosen both side bolts to adjust, align the marks evenly, then tighten. After hand tightening, use a screwdriver to secure firmly.

■ Power connection

Connect the power cable to the fixture using crimp sleeves and self-fusing/insulation tape.

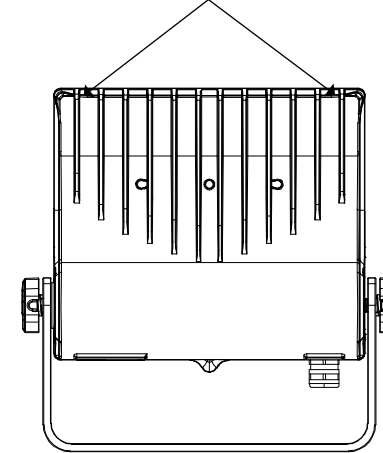
Follow polarity and ensure Class D grounding.



(Green) ground / earth

③ Safety wire installation

Wire holes (2 positions)



■ Safety wire installation

As shown, there are holes on both the left and right sides (one on each side) for the safety wire.

Pass the wire through both holes, then loop it around a strong structure or support, forming a closed loop.

As shown below, use the two included crimp sleeves and compress them firmly using a proper crimping tool (at the smaller slot). (Do not use regular pliers, as they cannot ensure sufficient strength.)

Using two sleeves and fixing at two points provides better security.

When installed correctly with the provided wire and two sleeves, the allowable static load is 120 kg.



■ Safety wire installation

There are two holes on the fixture (left and right) for the safety wire.

Pass the wire through both holes, then loop it around a strong structure/support to form a closed loop.

Use the two included crimp sleeves and compress them firmly with a proper crimping tool (small slot). (Do not use regular pliers, as they cannot ensure sufficient strength.)

Using two sleeves improves safety.

When properly crimped, the allowable static load is 120 kg.

■ Mounting on customer-provided bracket (e.g., sign bracket)

Install the safety wire as described above.

The bracket should include measures to prevent vibration/shaking.

■ Using optional brackets

L-shaped bracket: install safety wire as above; refer to the L-bracket manual.

Dual-axis bracket: install safety wire as above; refer to the dual-axis bracket manual.

④ Post-installation / post-construction confirmation

Installation is now complete.

Please supply power and confirm that the light is operating normally.

This document must be handed over to the end user.

For Users

Product Lifespan

LED lifespan depends greatly on ambient temperature.

The rated lifespan is 50,000 hours under conditions of $\leq 25^{\circ}\text{C}$.

Use in environments with oil mist, steam, near furnaces, or under direct summer sunlight may shorten lifespan.

Operating Time

Do not operate the light continuously 24 hours a day, as it may cause damage or reduce lifespan.

If used over 20 hours/day, the warranty period will be reduced to half of the standard coverage.

Cleaning

If oil smoke, dust, or wood particles accumulate, heat dissipation will be reduced and may cause damage.

Clean regularly with a dry cloth or neutral detergent.

Lightning Protection

The product can withstand surge voltages up to 4,000 V.

However, LED fixtures are more sensitive to lightning than traditional mercury lamps.

Lightning damage is not covered by warranty.

Install surge protection devices (e.g., lightning breakers) for the lighting circuit.

Safety wire & mounting (summary)

Use the two included crimp sleeves and compress firmly with a proper crimping tool (do not use regular pliers).

Using two sleeves increases safety.

Proper installation allows a static load of up to 120 kg.

For customer-provided brackets (e.g., sign brackets), install the safety wire as instructed and ensure anti-vibration measures.

Optional brackets:

L-shaped bracket: follow its manual

Dual-axis bracket: follow its manual