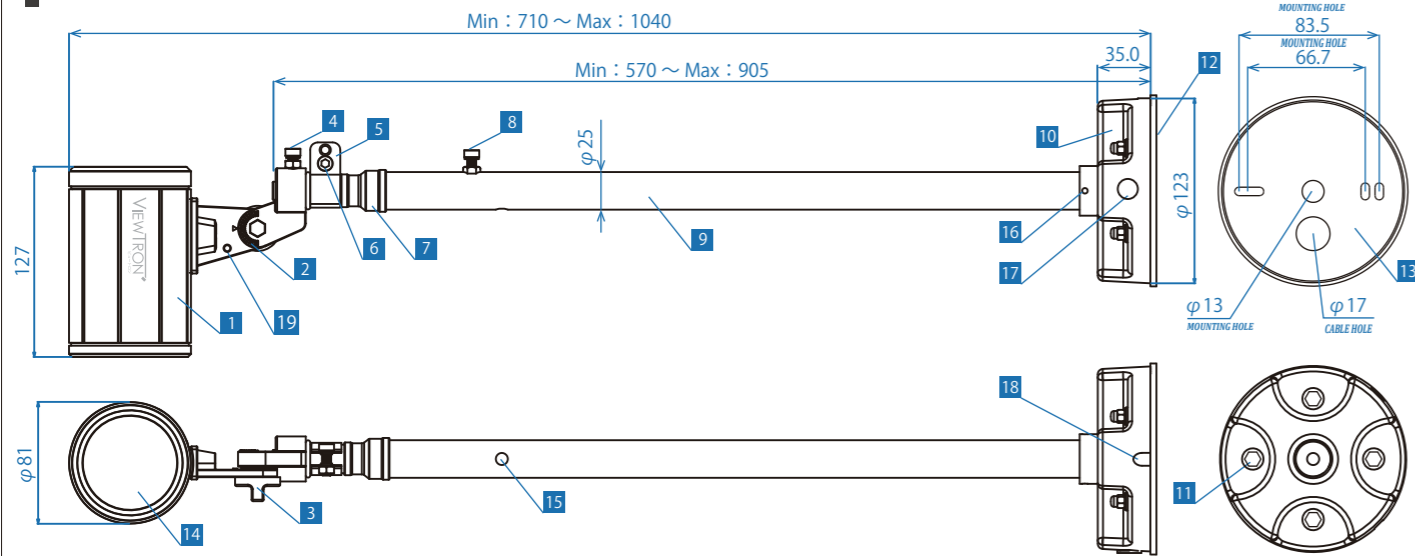
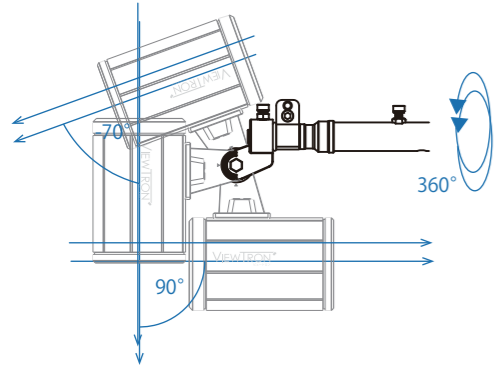


DELIVERY REQUEST FORM

DIAGRAM



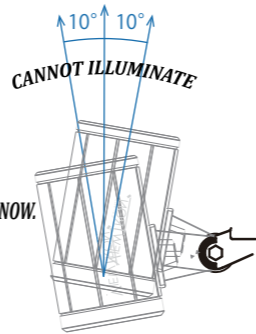
LIGHTING DIRECTION



TO PREVENT WATER FROM ENTERING THE DEVICE, PLEASE USE IT WITH AN UP/DOWN OR LEFT/RIGHT TILT ANGLE OF AT LEAST 10° FROM THE VERTICAL POSITION.

EACH MARK ON THE ADJUSTMENT KNOB CORRESPONDS TO 10°.

IN ADDITION, IN AREAS WITH HEAVY SNOW, WHEN ILLUMINATING UPWARD, ADJUST THE ANGLE SO THAT THE LIGHT-EMITTING SURFACE IS NOT COVERED BY SNOW.



PARTS LIST TABLE

| PART NAME | MATERIAL | REMARKS | QUANTITY |
|---------------------------------|-------------------|--------------------------------|----------|
| 1 LAMP | DIE-CAST ALUMINUM | POWDER COATING | 1 |
| 2 ANGLE ADJUSTMENT SCALE | - | - | - |
| 3 KNOB | DIE-CAST ALUMINUM | POWDER COATING | 1 |
| 4 ROTATION ADJUSTMENT BOLT | SUS | M6 HEX SOCKET BOLT | 1 |
| 5 CABLE CLAMP | SUS | POWDER COATING | 1 |
| 6 CABLE CLAMP BOLT | SUS | M6 HEX SOCKET BOLT | 1 |
| 7 WATERPROOF GASKET FOR ARM | SILICON | M6 HEX SOCKET BOLT | 1 |
| 8 TELESCOPIC ARM FIXING BOLT | SUS | - | 1 |
| 9 L-SHAPED ARM PIPE | SUS | POWDER COATING | 1 |
| 10 MOUNTING PLATE | SUS | POWDER COATING | 1 |
| 11 ARM ORIENTATION FIXING BOLT | SUS | M6 HEX SOCKET BOLT | 1 |
| 12 MOUNTING PLATE FIXING HOLE | - | HOLE DIAMETER 8MM | 6 |
| 13 MOUNTING PLATE NUT | SUS | - | 2 |
| 14 LIGHT-EMITTING SURFACE COVER | PC | 120°: MILKY WHITE / 40°: CLEAR | 1 |
| 15 DRAIN HOLE | - | - | 1 |
| 16 CABLE PROTECTION TUBE | SILICON | GRAY | 1 |
| 17 LAMP CABLE HOLE | - | - | 1 |

TECHNICAL SPECIFICATIONS TABLE

| DESIGN | VT40-120C-S(/BK) | VT40-120W-S(/BK) | VT40-40C-S | VT40-40W-S |
|---------------------------|---|--------------------------|-----------------|--------------------------|
| EQUIVALENT BRIGHTNESS | 160W COMPATIBLE LAMP | | | |
| BODY COLOR | WHITE | BASIC MODEL / BLACK (BK) | WHITE | BASIC MODEL / BLACK (BK) |
| POWER CONSUMPTION | 14W | | | |
| LIGHT DISTRIBUTION ANGLE | 120° | | 40° | |
| LIGHT COLOR | DAYLIGHT 6,000K | WARM LIGHT 2,700K | DAYLIGHT 6,000K | WARM LIGHT 2,700K |
| TOTAL LUMINOUS FLUX | 3,450lm | 3,380lm | 3,510lm | 3,270lm |
| CURRENT VALUE | 100V:0.33A / 200V:0.17A | | | |
| WEIGHT | 2.3kg (including the arm) | | | |
| INPUT VOLTAGE | AC 100V ~ 240V ± 10% (50/60Hz) | | | |
| COLOR RENDERING INDEX | > 80Ra | | | |
| PROTECTION CLASS | IP 65 | | | |
| POWER FACTOR | > 0.9 | | | |
| DESIGNED LIFESPAN | 40,000 HOURS (AT AMBIENT TEMPERATURE 25°C) | | | |
| OPERATING TEMPERATURE | -20°C TO 50°C, HUMIDITY BELOW 90% | | | |
| DUST AND WATER RESISTANCE | 3750V (COMMON MODE) | | | |
| OUTPUT CABLE LENGTH | OUTSIDE DIMENSION: MIN 630MM ~ MAX 1000MM (ADJUSTABLE) | | | |
| CERTIFICATION TESTS | PSE (ELECTRICAL SAFETY LAW), VIBRATION TEST (IEC60068-2-6) SALT SPRAY CORROSION TEST (ISO9227), WATERPROOF & DUSTPROOF TEST (IP65) | | | |
| PRODUCT WARRANTY | 2 YEARS | | | |
| ACCESSORIES INCLUDED | USER MANUAL, FALL PREVENTION WIRE (3M), HEX KEY | | | |

SIZE
A4

PRODUCT NAME

VIEWTRON VT20 S-ARM SET

VT20-S-001

NIKKEN HARDWARE

VT20-120C-S(/BK) VT20-120W-S(/BK) VT20-40C-S VT20-40W-S

FOR STORAGE PURPOSES.

PLEASE HAND THIS USER MANUAL TO THE USER.



OUTDOOR INTEGRATED ARM LED LIGHT

VIEWTRON

VT40 S ARM SET

※ WIRING AND INSTALLATION OF THE LIGHT MUST BE PERFORMED BY A CERTIFIED ELECTRICAL CONTRACTOR. UNAUTHORIZED PERSONS ARE PROHIBITED BY LAW FROM CARRYING OUT ELECTRICAL WORK.



CUSTOMER

DO NOT USE IN THE FOLLOWING CONDITIONS (RISK OF FIRE, ELECTRIC SHOCK, OR DAMAGE):

- Exceeding allowable temperature/humidity
- Strong vibration or impact
- Presence of corrosive or flammable gas
- Areas with heavy oil vapor
- Submerged in water
- In contact with flammable materials

FOLLOW THE INSTALLATION INSTRUCTIONS EXACTLY. DO NOT MODIFY OR SUBSTITUTE PARTS.

CONNECT THE POWER SUPPLY PROPERLY TO PREVENT FIRE OR ELECTRIC SHOCK.

DO NOT COVER THE DEVICE (WITH GRASS, PLANTS, INSULATION MATERIALS, ETC.). THIS MAY CAUSE FIRE.

THE DEVICE BECOMES HOT DURING OPERATION. AVOID TOUCHING TO PREVENT BURNS.

INSTALL SECURELY IN A LOCATION THAT CAN WITHSTAND WEIGHT, WIND, AND VIBRATION TO PREVENT FALLING, FIRE, OR ELECTRIC SHOCK.

THIS PRODUCT MAY INVOLVE WORKING AT HEIGHTS. BEFORE INSTALLATION, POWER IT ON TO CHECK FOR ORDER ERRORS, WRONG PRODUCTS, OR DAMAGE.



CAUTION

PRECAUTIONS FOR INSTALLATION:

Use only in normal indoor/outdoor environments.

Ensure the mounting surface is strong, free from rust, and not corroded.

Ensure the installation does not cause light pollution.

Maintain a safe lighting distance — at least 0.15 m to prevent fire hazards.

USE RUBBER-INSULATED ELECTRIC WIRE RNCT 0.75 mm² OR LARGER.

DO NOT CONNECT TO A DIMMER SWITCH (BRIGHTNESS CONTROL). THIS MAY CAUSE MALFUNCTION.

DAMAGE CAUSED BY LIGHTNING IS NOT COVERED BY WARRANTY. INSTALL A LIGHTNING PROTECTION DEVICE IN THE CIRCUIT.

DO NOT USE THE PRODUCT CONTINUOUSLY FOR 24 HOURS. THIS WILL REDUCE THE PRODUCT'S LIFESPAN.

WARNING

PRODUCT LIFESPAN

THE LIFESPAN OF LEDS DEPENDS HEAVILY ON AMBIENT TEMPERATURE.

THE DESIGNED LIFESPAN OF 40,000 HOURS IS BASED ON AN AMBIENT TEMPERATURE ≤ 25°C.

ENVIRONMENTS WITH OIL VAPOR, HIGH HUMIDITY, NEAR KITCHENS, OR UNDER STRONG SUMMER SUNLIGHT CAN SIGNIFICANTLY REDUCE THE LIFESPAN.

OPERATING TIME

IF USED FOR MORE THAN 20 HOURS PER DAY, THE LIFESPAN WILL BE GREATLY REDUCED AND THE WARRANTY PERIOD WILL BE HALVED.

CLEANING

OIL, DUST, AND WOOD CHIPS ACCUMULATED ON THE LAMP MAY PREVENT EFFECTIVE HEAT DISSIPATION AND CAUSE DAMAGE.

CLEAN REGULARLY BY WIPING DRY OR USING DILUTED NEUTRAL DETERGENT.

LIGHTNING PROTECTION

THE DEVICE CAN WITHSTAND SURGE VOLTAGE UP TO 3750V, BUT LEDS ARE MORE SENSITIVE TO LIGHTNING THAN INCANDESCENT OR MERCURY LAMPS.

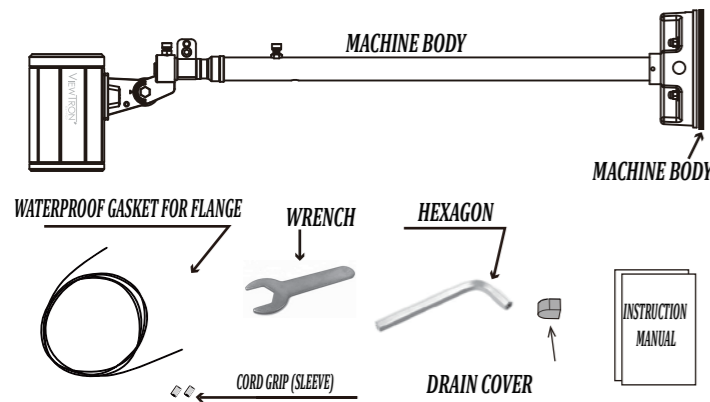
DAMAGE CAUSED BY LIGHTNING IS NOT COVERED BY WARRANTY.

CONSULT AN INSTALLER TO ADD A LIGHTNING PROTECTION DEVICE TO THE ELECTRICAL CIRCUIT.

NIKKEN
HARDWARE

1 INSPECT BEFORE INSTALLATION

※ SINCE THIS PRODUCT IS USED AT HEIGHT, PLEASE ENSURE TO INSPECT BEFORE INSTALLATION, NOT DURING INSTALLATION.



■ CHECK CONTENTS INSIDE

- ※ LAMP BODY ASSEMBLY (BULB, S-HANGER, FLANGE, FLANGE WATERPROOF WASHER) ×1
- ※ SAFETY CABLE (3M) ×1
- ※ WIRE SLEEVE ×2
- ※ HEX KEY ×1
- ※ WRENCH ×1
- ※ DRAIN HOLE PLUG ×1
- ※ USER MANUAL (THIS DOCUMENT) ×1

■ CHECK LIGHT FUNCTION

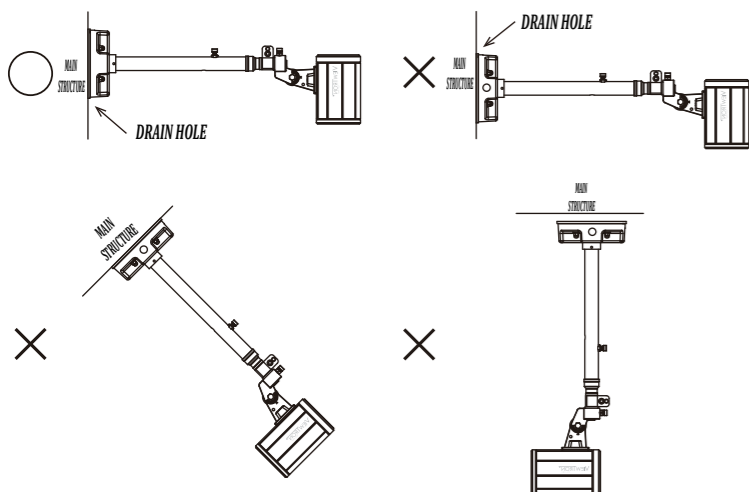
- ※ SUPPLY POWER FROM CABLE AT THE LAMP END AND CHECK WHETHER THE BULB LIGHTS UP.

■ OTHERS

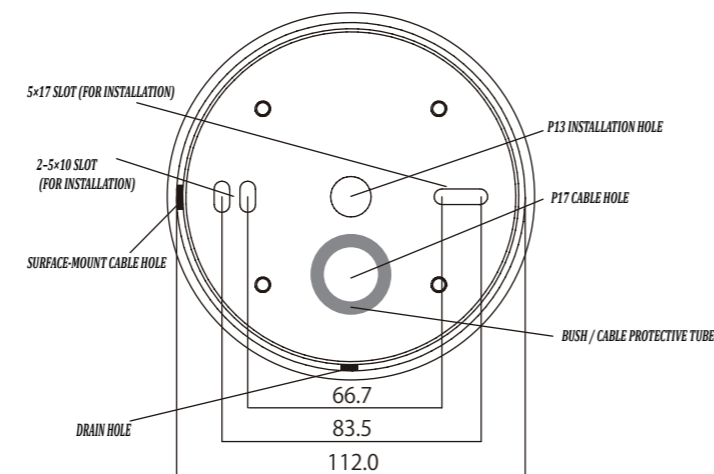
- ※ INSPECT WHETHER THE EQUIPMENT, CABLES, AND ACCESSORIES ARE DAMAGED.

2 CONSTRUCTION NOTES

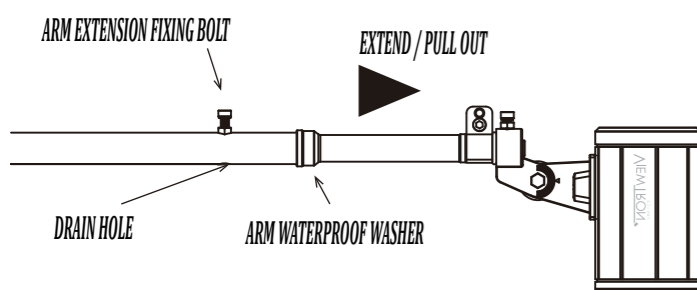
(1) INSTALL THE ARM ON A VERTICAL SURFACE AS SHOWN IN THE ILLUSTRATION BELOW. AT THE SAME TIME, ENSURE THAT THE DRAIN HOLE OF THE FLANGE ALWAYS FACES DOWNWARD.



(2) PLEASE CHECK THE SHAPE OF THE FLANGE BOTTOM (POSITION OF SCREW HOLES ON THE MOUNTING PLATE, DRAIN HOLE, CABLE ENTRY HOLE, ETC.). THE MOUNTING PLATE CAN BE ROTATED IN 90° INCREMENTS, BUT THE FLANGE MUST BE INSTALLED SO THAT THE DRAIN HOLE ALWAYS FACES DOWNWARD.



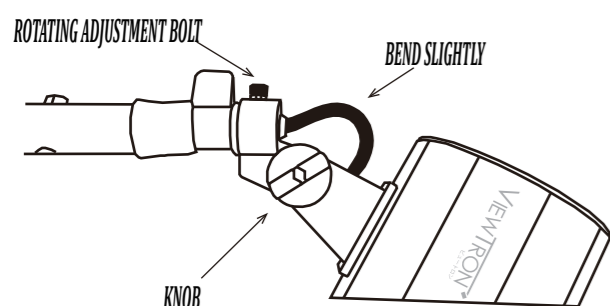
3 ADJUST S-ARM LENGTH



(1) WHEN LOOSENING THE FIXING BOLT TO CHANGE THE LENGTH OF THE LAMP ARM, THE ARM CAN BE EXTENDED. AFTER ADJUSTING THE ARM LENGTH TO THE APPROPRIATE REACH, RETIGHTEN THE FIXING BOLT. THE EXTENSION/RETRACTION RANGE CAN BE REFERENCED IN THE DRAWING ON THE BACK.

(2) ADJUST THE POSITION OF THE WATERPROOF WASHER SO THAT IT COVERS THE JOINT OF THE LAMP ARM. IF THE DRAIN HOLE OF THE FLANGE FACES DOWNWARD, THE DRAIN HOLE OF THE S-ARM PIPE WILL ALSO BE DESIGNED TO FACE DOWNWARD.

4 ADJUST LIGHTING DIRECTION OF THE LAMP



PLEASE CHECK WHETHER THE LOCK NUT HAS BEEN SECURELY FASTENED.

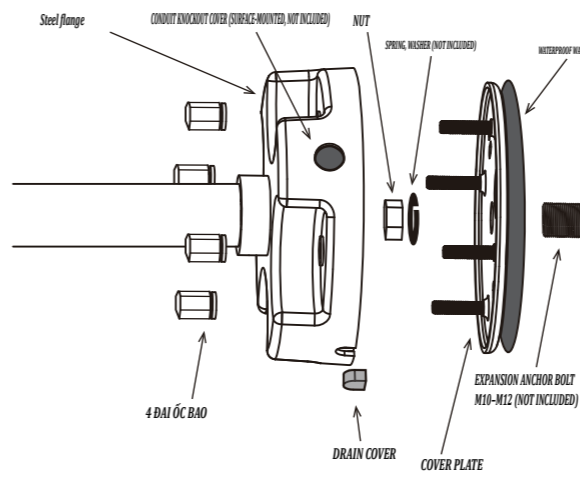
EVEN IF THE ADJUSTMENT ROTATING BOLT IS NOT LOOSENED, ENSURE THAT THE LOCK NUT IS TIGHTENED. AFTER ADJUSTMENT, TIGHTEN SECURELY USING THE SUPPLIED HEX KEY AND FIX AGAIN WITH THE LOCK NUT.

(2) LOOSEN THE ROTATING ADJUSTMENT BOLT TO ADJUST THE HORIZONTAL DIRECTION.

AFTER ANGLE ADJUSTMENT, LET THE CABLE SLACK SLIGHTLY AS SHOWN ON THE LEFT IMAGE TO AVOID LOAD ON THE CABLE. IT CAN BE TIGHTENED FURTHER BY INSERTING THE SUPPLIED HEX KEY INTO THE HEX HOLE IN THE CENTER OF THE KNOB. ADJUST AND FIX IN THE APPROPRIATE DIRECTION.

(1) LOOSEN THE KNOB AT THE LAMP BASE TO ADJUST THE VERTICAL DIRECTION.

5 ADJUST THE LENGTH OF ARM L



(1) INSTALL EXPANSION BOLTS (M10-M12) INTO THE STRUCTURE. THE PROTRUSION OF THE BOLT MUST BE 10-15MM. IF IT IS LESS THAN 10MM, IT WILL NOT PROVIDE SUFFICIENT STRENGTH; IF IT EXCEEDS 15MM, IT MAY INTERFERE WITH ELECTRICAL WIRES. THEREFORE, THE SPECIFIED DIMENSIONS MUST BE STRICTLY FOLLOWED.

(2) TIGHTEN THE WATERPROOF WASHER AND MOUNTING PLATE.

Clamp them together using a nut through a black spring washer. For the installation angle, please refer to the illustration showing the orientation of the mounting plate at the lower left corner. When using mounting holes with a spacing of 66.7mm/83.5mm, it is mandatory to use bolts, nuts, and M10-M12 black spring washers to secure reinforcement to the central mounting hole.



(3) CONNECT THE POWER CABLE FROM THE FLANGE.

Connect the output cable and the power cable, then insulate and securely fix them using a sleeve, self-fusing tape, or insulating tape. Please refer to the polarity diagram in the figure above.

Supported voltage: AC100V-240V (universal voltage). Can be used for both 100V and 200V circuits.

(4) IF ROUTING CABLES EXTERNALLY, REMOVE THE EXTERNAL CABLE HOLE COVER AND ROUTE THE CABLE HORIZONTALLY.

After removing the external cable hole cover, it is mandatory to seal the opening with waterproofing compound (calking) to ensure water resistance.

(5) WHEN USED OUTDOORS, DO NOT INSTALL THE DRAIN HOLE COVER.

If the cover is installed, water will not drain properly and may cause electrical leakage. This gasket is intended only for indoor installation or ceiling mounting.

(6) PASS 4 BOLTS FROM THE MOUNTING PLATE THROUGH THE FLANGE, THEN TIGHTEN WITH 4 CAP NUTS.

For outdoor installation, it is mandatory to ensure the drain hole is at the bottom.

6 CABLE INSTALLATION

PLEASE REFER TO FIGURE 4 AND ENSURE SECURE INSTALLATION. WHEN FOLLOWING FIGURE 1A AND THE INSTRUCTIONS BELOW, THE PRODUCT WILL ACHIEVE THE DESCRIBED PERFORMANCE. IT IS POSSIBLE TO INSTALL UP TO 6100K AT ONCE.

CABLES (WIRE SLEEVE)

USE A RING SLEEVE CRIMPING PLIER TO SECURELY CRIMP THE WIRE SLEEVES, ENSURING HIGH TENSILE STRENGTH. FOLLOWING THE INSTRUCTIONS BELOW WILL REINFORCE THE ARMS AND PREVENT THE LIGHT FROM FALLING. THE PRODUCT COMES EQUIPPED WITH PRE-INSTALLED CABLE CLIPS, CABLES, AND WIRE SLEEVES.

PLEASE REFER TO FIGURES 1 TO 4 TO SEE HOW TO ROUTE THE CABLE IN A FIGURE-8 PATTERN THROUGH THE ARM AND LIGHT.

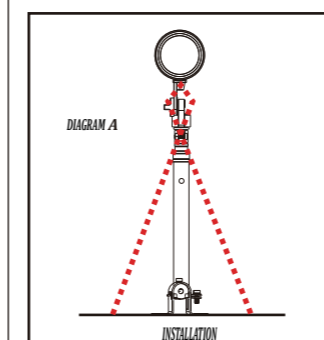
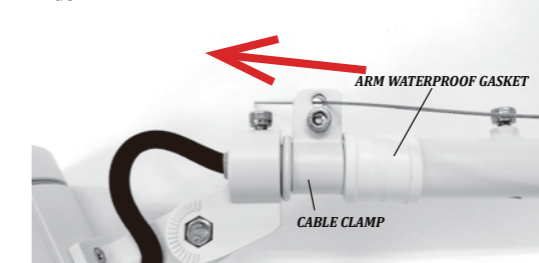
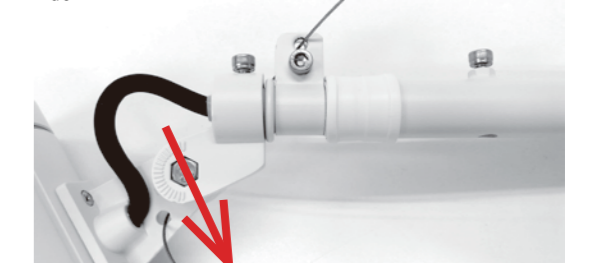


FIGURE 1



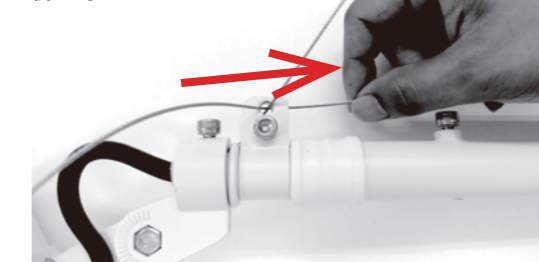
① THREAD THE CABLE THROUGH THE HOLE IN THE CABLE CLIP, FROM FRONT TO BACK.

FIGURE 2



② THREAD THE CABLE THROUGH THE HOLE ON THE LIGHT, THEN PULL THE CABLE BACK FROM THE REAR TO THE FRONT.

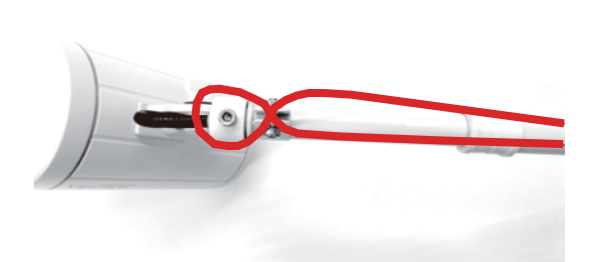
FIGURE 3



INSTALL THE CABLES IN AN UPWARD DIRECTION. ENSURE THE CABLES ARE NOT LOOSE AND ALWAYS MAINTAIN AN UPWARD DIRECTION.

③ INSERT THE CABLE. THREAD IT THROUGH THE HOLE IN THE CABLE CLIP. ROUTE FROM THE FRONT TO THE BACK.

FIGURE 4



CHECK THE CABLE FIXING BOLT TO ENSURE IT IS NOT LOOSE. WHEN VIEWED FROM ABOVE, THE CABLE SHOULD LIE IN A FIGURE-8 PATTERN AS SHOW.

9 CHECK THE LIGHTS

READ THE INSTRUCTIONS IN THE MANUAL CAREFULLY.

WHEN PERFORMING INSTALLATION, ENSURE ELECTRICAL CONNECTIONS ARE SECURE AND CHECK THAT THE LIGHTS TURN ON. AFTER COMPLETING THE INSTALLATION, CONFIRM THAT THE PROCESS HAS BEEN PROPERLY COMPLETED.