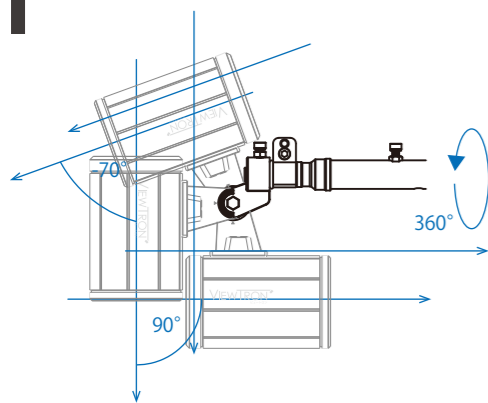
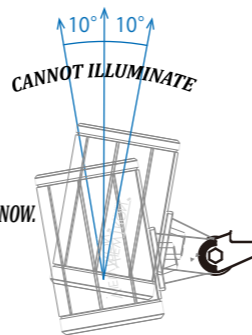


# OUTDOOR INTEGRATED ARM LED LIGHT VIEWTRON VT20 SS ARM SET

※ WIRING AND INSTALLATION OF THE LIGHT MUST BE PERFORMED BY A CERTIFIED ELECTRICAL CONTRACTOR. UNAUTHORIZED PERSONS ARE PROHIBITED BY LAW FROM CARRYING OUT ELECTRICAL WORK.



TO PREVENT WATER FROM ENTERING THE DEVICE, PLEASE USE IT WITH AN UP/DOWN OR LEFT/RIGHT TILT ANGLE OF AT LEAST 10° FROM THE VERTICAL POSITION.  
EACH MARK ON THE ADJUSTMENT KNOB CORRESPONDS TO 10°. IN ADDITION, IN AREAS WITH HEAVY SNOW, WHEN ILLUMINATING UPWARD, ADJUST THE ANGLE SO THAT THE LIGHT-EMITTING SURFACE IS NOT COVERED BY SNOW.



PARTS LIST TABLE

PART NAME	MATERIAL	REMARKS	QUANTITY
1 LAMP	DIE-CAST ALUMINUM	POWDER COATING	1
2 ANGLE ADJUSTMENT SCALE	-	-	-
3 KNOB	DIE-CAST ALUMINUM	POWDER COATING	1
4 ROTATION ADJUSTMENT BOLT	SUS	M6 HEX SOCKET BOLT	1
5 CABLE CLAMP	SUS	POWDER COATING	1
6 CABLE CLAMP BOLT	SUS	M6 HEX SOCKET BOLT	1
7 WATERPROOF GASKET FOR ARM	SILICON	M6 HEX SOCKET BOLT	1
8 TELESCOPIC ARM FIXING BOLT	SUS		1
9 L-SHAPED ARM PIPE	SUS	POWDER COATING	1
10 MOUNTING PLATE	SUS	POWDER COATING	1
11 ARM ORIENTATION FIXING BOLT	SUS	M6 HEX SOCKET BOLT	1
12 MOUNTING PLATE FIXING HOLE	-	HOLE DIAMETER 8MM	6
13 MOUNTING PLATE NUT	SUS		2
14 LIGHT-EMITTING SURFACE COVER	PC	120°: MILKY WHITE / 40°: CLEAR	1
15 DRAIN HOLE	-	-	1
16 CABLE PROTECTION TUBE	SILICON	GRAY	1
17 LAMP CABLE HOLE	-	-	1

TECHNICAL SPECIFICATIONS TABLE

DESIGN	VT20-120C-SS(/BK)	VT20-120W-SS(/BK)	VT20-40C-SS	VT20-40W-SS
EQUIVALENT BRIGHTNESS	160W COMPATIBLE LAMP			
BODY COLOR	WHITE / BASIC MODEL / BLACK (BK)	WHITE / BASIC MODEL / BLACK (BK)	WHITE	WHITE
POWER CONSUMPTION	14W			
LIGHT DISTRIBUTION ANGLE	120°		40°	
LIGHT COLOR	DAYLIGHT 6,000K	WARM LIGHT 2,700K	DAYLIGHT 6,000K	WARM LIGHT 2,700K
TOTAL LUMINOUS FLUX	1,480lm	1,400lm	1,580lm	1,520lm
CURRENT VALUE	100V:0.14A / 200V:0.07A			
WEIGHT	1.44kg ( including the arm )			
INPUT VOLTAGE	AC 100V ~ 240V ± 10% ( 50/60Hz )			
COLOR RENDERING INDEX	> 80Ra			
PROTECTION CLASS	IP 65			
POWER FACTOR	> 0.9			
DESIGNED LIFESPAN	40,000 HOURS (AT AMBIENT TEMPERATURE 25°C)			
OPERATING TEMPERATURE	-20°C TO 50°C, HUMIDITY BELOW 90%			
DUST AND WATER RESISTANCE	3750V (COMMON MODE)			
OUTPUT CABLE LENGTH	OUTSIDE DIMENSION: MIN 520MM ~ MAX 870MM (ADJUSTABLE)			
CERTIFICATION TESTS	PSE (ELECTRICAL SAFETY LAW), VIBRATION TEST (IEC60068-2-6) SALT SPRAY CORROSION TEST (ISO9227), WATERPROOF & DUSTPROOF TEST (IP65)			
PRODUCT WARRANTY	2 YEARS			
ACCESSORIES INCLUDED	USER MANUAL, FALL PREVENTION WIRE (3M), HEX KEY			



CUSTOMER

DO NOT USE IN THE FOLLOWING CONDITIONS (RISK OF FIRE, ELECTRIC SHOCK, OR DAMAGE):

- Exceeding allowable temperature/humidity
- Strong vibration or impact
- Presence of corrosive or flammable gas
- Areas with heavy oil vapor
- Submerged in water
- In contact with flammable materials

FOLLOW THE INSTALLATION INSTRUCTIONS EXACTLY. DO NOT MODIFY OR SUBSTITUTE PARTS.

CONNECT THE POWER SUPPLY PROPERLY TO PREVENT FIRE OR ELECTRIC SHOCK.

DO NOT COVER THE DEVICE (WITH GRASS, PLANTS, INSULATION MATERIALS, ETC.). THIS MAY CAUSE FIRE.

THE DEVICE BECOMES HOT DURING OPERATION. AVOID TOUCHING TO PREVENT BURNS.

INSTALL SECURELY IN A LOCATION THAT CAN WITHSTAND WEIGHT, WIND, AND VIBRATION TO PREVENT FALLING, FIRE, OR ELECTRIC SHOCK.

THIS PRODUCT MAY INVOLVE WORKING AT HEIGHTS. BEFORE INSTALLATION, POWER IT ON TO CHECK FOR ORDER ERRORS, WRONG PRODUCTS, OR DAMAGE.



CAUTION

PRECAUTIONS FOR INSTALLATION:

Use only in normal indoor/outdoor environments.

Ensure the mounting surface is strong, free from rust, and not corroded.

Ensure the installation does not cause light pollution.

Maintain a safe lighting distance — at least 0.15 m to prevent fire hazards.

USE RUBBER-INSULATED ELECTRIC WIRE RNCT 0.75 mm<sup>2</sup> OR LARGER.

DO NOT CONNECT TO A DIMMER SWITCH (BRIGHTNESS CONTROL). THIS MAY CAUSE MALFUNCTION.

DAMAGE CAUSED BY LIGHTNING IS NOT COVERED BY WARRANTY. INSTALL A LIGHTNING PROTECTION DEVICE IN THE CIRCUIT.

DO NOT USE THE PRODUCT CONTINUOUSLY FOR 24 HOURS. THIS WILL REDUCE THE PRODUCT'S LIFESPAN.



WARNING

PRODUCT LIFESPAN

THE LIFESPAN OF LEDS DEPENDS HEAVILY ON AMBIENT TEMPERATURE. THE DESIGNED LIFESPAN OF 40,000 HOURS IS BASED ON AN AMBIENT TEMPERATURE ≤ 25°C. ENVIRONMENTS WITH OIL VAPOR, HIGH HUMIDITY, NEAR KITCHENS, OR UNDER STRONG SUMMER SUNLIGHT CAN SIGNIFICANTLY REDUCE THE LIFESPAN.

OPERATING TIME

IF USED FOR MORE THAN 20 HOURS PER DAY, THE LIFESPAN WILL BE GREATLY REDUCED AND THE WARRANTY PERIOD WILL BE HALVED.

CLEANING

OIL, DUST, AND WOOD CHIPS ACCUMULATED ON THE LAMP MAY PREVENT EFFECTIVE HEAT DISSIPATION AND CAUSE DAMAGE. CLEAN REGULARLY BY WIPING DRY OR USING DILUTED NEUTRAL DETERGENT.

LIGHTNING PROTECTION

THE DEVICE CAN WITHSTAND SURGE VOLTAGE UP TO 3750V, BUT LEDS ARE MORE SENSITIVE TO LIGHTNING THAN INCANDESCENT OR MERCURY LAMPS. DAMAGE CAUSED BY LIGHTNING IS NOT COVERED BY WARRANTY. CONSULT AN INSTALLER TO ADD A LIGHTNING PROTECTION DEVICE TO THE ELECTRICAL CIRCUIT.

SIZE  
A4

PRODUCT  
NAME

VIEWTRON VT20 SS-ARM SET

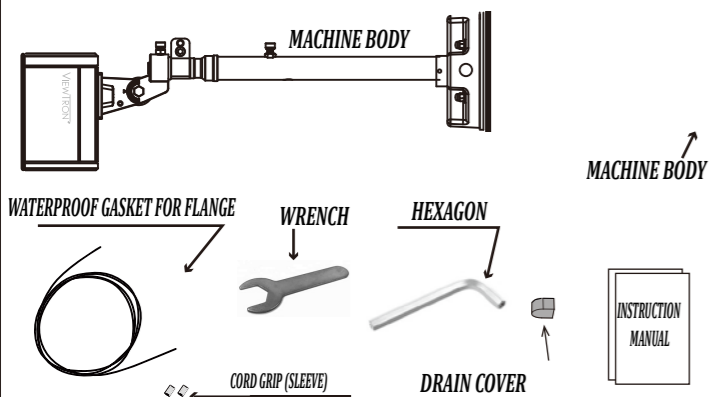
VT20-SS-001

NIKKEN HARDWARE

VT20-120C-SS(/BK) VT20-120W-SS(/BK) VT20-40C-SS VT20-40W-SS

## 1 INSPECT BEFORE INSTALLATION

※SINCE THIS PRODUCT IS USED AT HEIGHT, PLEASE ENSURE TO INSPECT BEFORE INSTALLATION, NOT DURING INSTALLATION.



### ■ CHECK CONTENTS INSIDE

- ※ LAMP BODY ASSEMBLY (BULB, S-HANGER, FLANGE, FLANGE WATERPROOF WASHER) ×1
- ※ SAFETY CABLE (3M) ×1
- ※ WIRE SLEEVE ×2
- ※ HEX KEY ×1
- ※ WRENCH ×1
- ※ DRAIN HOLE PLUG ×1
- ※ USER MANUAL (THIS DOCUMENT) ×1

### ■ CHECK LIGHT FUNCTION

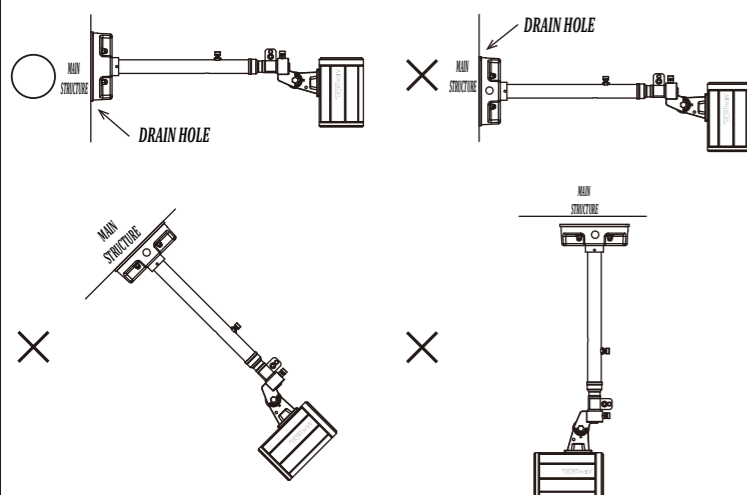
- ※ SUPPLY POWER FROM CABLE AT THE LAMP END AND CHECK WHETHER THE BULB LIGHTS UP.

### ■ OTHERS

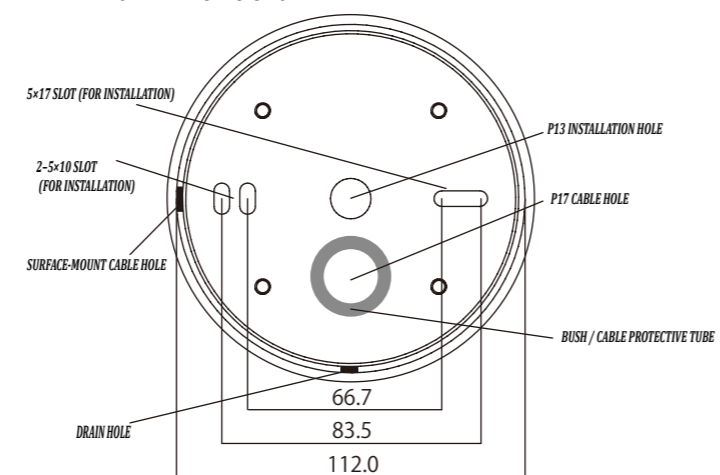
- ※ INSPECT WHETHER THE EQUIPMENT, CABLES, AND ACCESSORIES ARE DAMAGED.

## 2 CONSTRUCTION NOTES

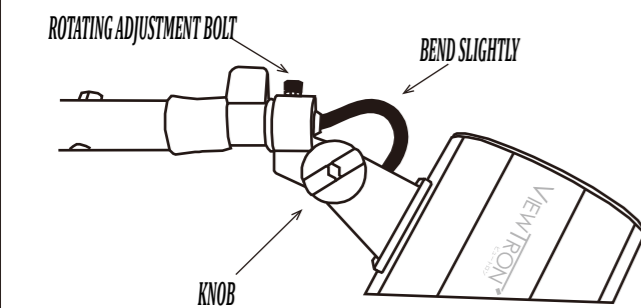
(1) INSTALL THE ARM ON A VERTICAL SURFACE AS SHOWN IN THE ILLUSTRATION BELOW. AT THE SAME TIME, ENSURE THAT THE DRAIN HOLE OF THE FLANGE ALWAYS FACES DOWNWARD.



(2) PLEASE CHECK THE SHAPE OF THE FLANGE BOTTOM (POSITION OF SCREW HOLES ON THE MOUNTING PLATE, DRAIN HOLE, CABLE ENTRY HOLE, ETC.). THE MOUNTING PLATE CAN BE ROTATED IN 90° INCREMENTS, BUT THE FLANGE MUST BE INSTALLED SO THAT THE DRAIN HOLE ALWAYS FACES DOWNWARD.



## 3 ADJUST LIGHTING DIRECTION OF THE LAMP

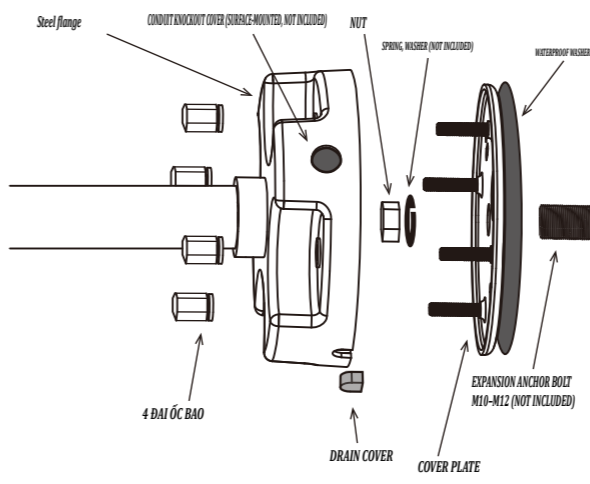


PLEASE CHECK WHETHER THE LOCK NUT HAS BEEN SECURELY FASTENED. EVEN IF THE ADJUSTMENT ROTATING BOLT IS NOT LOOSENED, ENSURE THAT THE LOCK NUT IS TIGHTENED. AFTER ADJUSTMENT, TIGHTEN SECURELY USING THE SUPPLIED HEX KEY AND FIX AGAIN WITH THE LOCK NUT.

(2) LOOSEN THE ROTATING ADJUSTMENT BOLT TO ADJUST THE HORIZONTAL DIRECTION. AFTER ANGLE ADJUSTMENT, LET THE CABLE SLACK SLIGHTLY AS SHOWN ON THE LEFT IMAGE TO AVOID LOAD ON THE CABLE. IT CAN BE TIGHTENED FURTHER BY INSERTING THE SUPPLIED HEX KEY INTO THE HEX HOLE IN THE CENTER OF THE KNOB. ADJUST AND FIX IN THE APPROPRIATE DIRECTION.

(1) LOOSEN THE KNOB AT THE LAMP BASE TO ADJUST THE VERTICAL DIRECTION.

## 5 ADJUST THE LENGTH OF ARM L



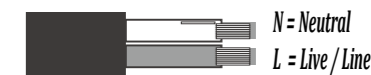
(1) INSTALL EXPANSION BOLTS (M10-M12) INTO THE STRUCTURE. THE PROTRUSION OF THE BOLT MUST BE 10-15MM. If it is less than 10mm, it will not provide sufficient strength; if it exceeds 15mm, it may interfere with electrical wires. Therefore, the specified dimensions must be strictly followed.

(2) TIGHTEN THE WATERPROOF WASHER AND MOUNTING PLATE. Clamp them together using a nut through a black spring washer. For the installation angle, please refer to the illustration showing the orientation of the mounting plate at the lower left corner. When using mounting holes with a spacing of 66.7mm/83.5mm, it is mandatory to use bolts, nuts, and M10-M12 black spring washers to secure reinforcement to the central mounting hole.

(3) CONNECT THE POWER CABLE FROM THE FLANGE.

Connect the output cable and the power cable, then insulate and securely fix them using a sleeve, self-fusing tape, or insulating tape. Please refer to the polarity diagram in the figure above.

Supported voltage: AC100V-240V (universal voltage). Can be used for both 100V and 200V circuits.



(4) IF ROUTING CABLES EXTERNALLY, REMOVE THE EXTERNAL CABLE HOLE COVER AND ROUTE THE CABLE HORIZONTALLY. After removing the external cable hole cover, it is mandatory to seal the opening with waterproofing compound (calking) to ensure water resistance.

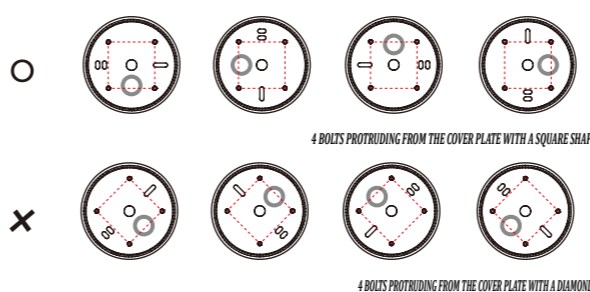
(5) WHEN USED OUTDOORS, DO NOT INSTALL THE DRAIN HOLE COVER.

If the cover is installed, water will not drain properly and may cause electrical leakage. This gasket is intended only for indoor installation or ceiling mounting.

(6) PASS 4 BOLTS FROM THE MOUNTING PLATE THROUGH THE FLANGE, THEN TIGHTEN WITH 4 CAP NUTS.

For outdoor installation, it is mandatory to ensure the drain hole is at the bottom.

PLEASE PAY ATTENTION TO THE INSTALLATION DIRECTION OF THE COVER PLATE. IF INSTALLED INCORRECTLY, THE DRAIN HOLE WILL NOT BE AT THE BOTTOM.



## 9 CHECK THE LIGHTS

READ THE INSTRUCTIONS IN THE MANUAL CAREFULLY.

WHEN PERFORMING INSTALLATION, ENSURE ELECTRICAL CONNECTIONS ARE SECURE AND CHECK THAT THE LIGHTS TURN ON. AFTER COMPLETING THE INSTALLATION, CONFIRM THAT THE PROCESS HAS BEEN PROPERLY COMPLETED.