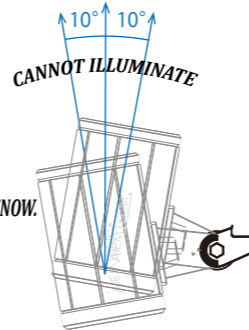


TO PREVENT WATER FROM ENTERING THE DEVICE, PLEASE USE IT WITH AN UP/DOWN OR LEFT/RIGHT TILT ANGLE OF AT LEAST 10° FROM THE VERTICAL POSITION. EACH MARK ON THE ADJUSTMENT KNOB CORRESPONDS TO 10°. IN ADDITION, IN AREAS WITH HEAVY SNOW, WHEN ILLUMINATING UPWARD, ADJUST THE ANGLE SO THAT THE LIGHT-EMITTING SURFACE IS NOT COVERED BY SNOW.



PARTS LIST TABLE

NO.	PART NAME	MATERIAL	REMARKS	QUANTITY
1	LAMP	DIE-CAST ALUMINUM	POWDER COATING	1
2	ANGLE ADJUSTMENT SCALE	-	-	-
3	KNOB	DIE-CAST ALUMINUM	POWDER COATING	1
4	ROTATION ADJUSTMENT BOLT	SUS	M6 HEX SOCKET BOLT	1
5	CABLE CLAMP	SUS	POWDER COATING	1
6	CABLE CLAMP BOLT	SUS	M6 HEX SOCKET BOLT	1
7	WATERPROOF GASKET FOR ARM	SILICON	M6 HEX SOCKET BOLT	1
8	TELESCOPIC ARM FIXING BOLT	SUS	-	1
9	L-SHAPED ARM PIPE	SUS	POWDER COATING	1
10	MOUNTING PLATE	SUS	POWDER COATING	1
11	ARM ORIENTATION FIXING BOLT	SUS	M6 HEX SOCKET BOLT	1
12	MOUNTING PLATE FIXING HOLE	-	HOLE DIAMETER 8MM	6
13	MOUNTING PLATE NUT	SUS	-	2
14	LIGHT-EMITTING SURFACE COVER	PC	120°: MILKY WHITE / 40°: CLEAR	1
15	DRAIN HOLE	-	-	1
16	CABLE PROTECTION TUBE	SILICON	GRAY	1
17	LAMP CABLE HOLE	-	-	1

TECHNICAL SPECIFICATIONS TABLE

DESIGN	V 120-120C-T(/BK)	VT20-120W-T(/BK)	VT20-40C-T	VT20-40W-T
EQUIVALENT BRIGHTNESS	W061 COMPATIBLE LAMP			
BODY COLOR	WHITE / BASIC MODEL / BLACK (BK)	WHITE / BASIC MODEL / BLACK (BK)	WHITE	WHITE
POWER CONSUMPTION	14W			
LIGHT DISTRIBUTION ANGLE	120°		40°	
LIGHT COLOR	DAYLIGHT 6,000K	WARM LIGHT 2,700K	DAYLIGHT 6,000K	WARM LIGHT 2,700K
TOTAL LUMINOUS FLUX	1,480lm	1,400lm	1,580lm	1,520lm
CURRENT VALUE	100V:0.14A / 200V:0.07A			
WEIGHT	2.0 kg (including the arm)			
INPUT VOLTAGE	AC 100V ~ 240V ± 10% (50/60Hz)			
COLOR RENDERING INDEX	> 80Ra			
PROTECTION CLASS	IP65			
POWER FACTOR	> 0.9			
DESIGNED LIFESPAN	40,000 HOURS (AT AMBIENT TEMPERATURE 25°C)			
OPERATING TEMPERATURE	-20°C TO 50°C, HUMIDITY BELOW 90%			
DUST AND WATER RESISTANCE	3750V (COMMON MODE)			
OUTPUT CABLE LENGTH	OUTSIDE DIMENSION: MIN 720MM - MAX 1050MM (ADJUSTABLE)			
CERTIFICATION TESTS	PSE (ELECTRICAL SAFETY LAW), VIBRATION TEST (IEC60068-2-6) SALT SPRAY CORROSION TEST (ISO9227), WATERPROOF & DUSTPROOF TEST (IP65)			
PRODUCT WARRANTY	2 YEARS			
ACCESSORIES INCLUDED	USER MANUAL, FALL PREVENTION WIRE (3M), HEX KEY			

SIZE
A4

PRODUCT
NAME

VIEWTRON VT20 S-ARM SET

VT20-120C-T(/BK) VT20-120W-T(/BK) VT20-40C-T VT20-40W-T

VT20-T-001

NIKKEN HARDWARE

FOR STORAGE PURPOSES.

PLEASE HAND THIS USER MANUAL TO THE USER.



OUTDOOR INTEGRATED ARM LED LIGHT

VIEWTRON

VT20 T ARM SET

※ WIRING AND INSTALLATION OF THE LIGHT MUST BE PERFORMED BY A CERTIFIED ELECTRICAL CONTRACTOR. UNAUTHORIZED PERSONS ARE PROHIBITED BY LAW FROM CARRYING OUT ELECTRICAL WORK.



CUSTOMER

■ DO NOT USE IN THE FOLLOWING CONDITIONS (RISK OF FIRE, ELECTRIC SHOCK, OR DAMAGE):

- Exceeding allowable temperature/humidity
- Strong vibration or impact
- Presence of corrosive or flammable gas
- Areas with heavy oil vapor
- Submerged in water
- In contact with flammable materials

■ FOLLOW THE INSTALLATION INSTRUCTIONS EXACTLY. DO NOT MODIFY OR SUBSTITUTE PARTS.

■ CONNECT THE POWER SUPPLY PROPERLY TO PREVENT FIRE OR ELECTRIC SHOCK.

■ DO NOT COVER THE DEVICE (WITH GRASS, PLANTS, INSULATION MATERIALS, ETC.). THIS MAY CAUSE FIRE.

■ THE DEVICE BECOMES HOT DURING OPERATION. AVOID TOUCHING TO PREVENT BURNS.

■ INSTALL SECURELY IN A LOCATION THAT CAN WITHSTAND WEIGHT, WIND, AND VIBRATION TO PREVENT FALLING, FIRE, OR ELECTRIC SHOCK.

■ THIS PRODUCT MAY INVOLVE WORKING AT HEIGHTS. BEFORE INSTALLATION, POWER IT ON TO CHECK FOR ORDER ERRORS, WRONG PRODUCTS, OR DAMAGE.



CAUTION

■ PRECAUTIONS FOR INSTALLATION:

Use only in normal indoor/outdoor environments.

Ensure the mounting surface is strong, free from rust, and not corroded.

Ensure the installation does not cause light pollution.

Maintain a safe lighting distance — at least 0.15 m to prevent fire hazards.

■ USE RUBBER-INSULATED ELECTRIC WIRE RNCT 0.75 mm² OR LARGER.

■ DO NOT CONNECT TO A DIMMER SWITCH (BRIGHTNESS CONTROL). THIS MAY CAUSE MALFUNCTION.

■ DAMAGE CAUSED BY LIGHTNING IS NOT COVERED BY WARRANTY. INSTALL A LIGHTNING PROTECTION DEVICE IN THE CIRCUIT.

■ DO NOT USE THE PRODUCT CONTINUOUSLY FOR 24 HOURS. THIS WILL REDUCE THE PRODUCT'S LIFESPAN.

WARNING

■ PRODUCT LIFESPAN

THE LIFESPAN OF LEDS DEPENDS HEAVILY ON AMBIENT TEMPERATURE.

THE DESIGNED LIFESPAN OF 40,000 HOURS IS BASED ON AN AMBIENT TEMPERATURE ≤ 25°C.

ENVIRONMENTS WITH OIL VAPOR, HIGH HUMIDITY, NEAR KITCHENS, OR UNDER STRONG SUMMER SUNLIGHT CAN SIGNIFICANTLY REDUCE THE LIFESPAN.

■ OPERATING TIME

IF USED FOR MORE THAN 20 HOURS PER DAY, THE LIFESPAN WILL BE GREATLY REDUCED AND THE WARRANTY PERIOD WILL BE HALVED.

■ CLEANING

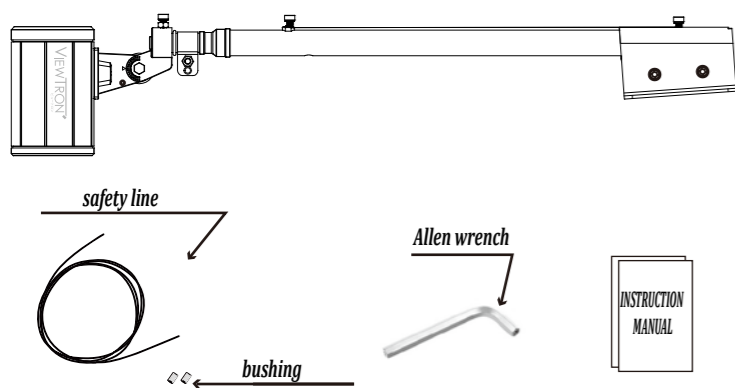
OIL, DUST AND WOOD CHIPS ACCUMULATED ON THE LAMP MAY PREVENT EFFECTIVE HEAT DISSIPATION AND CAUSE DAMAGE. CLEAN REGULARLY BY WIPING DRY OR USING DILUTED NEUTRAL DETERGENT.

■ LIGHTNING PROTECTION

THE DEVICE CAN WITHSTAND SURGE VOLTAGE UP TO 3750V, BUT LEDS ARE MORE SENSITIVE TO LIGHTNING THAN INCANDESCENT OR MERCURY LAMPS. DAMAGE CAUSED BY LIGHTNING IS NOT COVERED BY WARRANTY. CONSULT AN INSTALLER TO ADD A LIGHTNING PROTECTION DEVICE TO THE ELECTRICAL CIRCUIT.

1 INSPECT BEFORE INSTALLATION

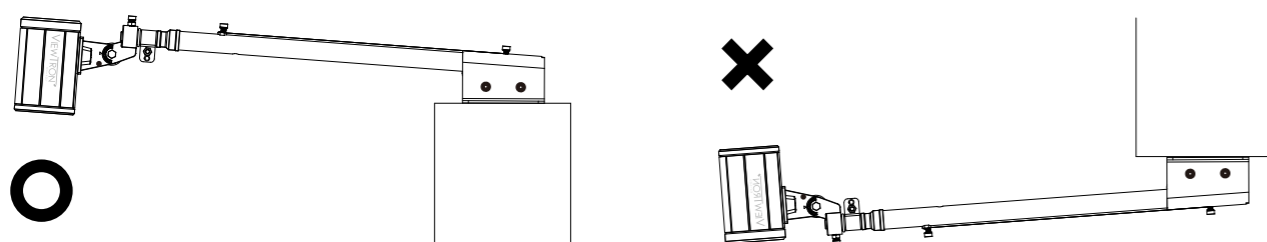
※SINCE THIS PRODUCT IS USED AT HEIGHT, PLEASE ENSURE TO INSPECT BEFORE INSTALLATION, NOT DURING INSTALLATION.



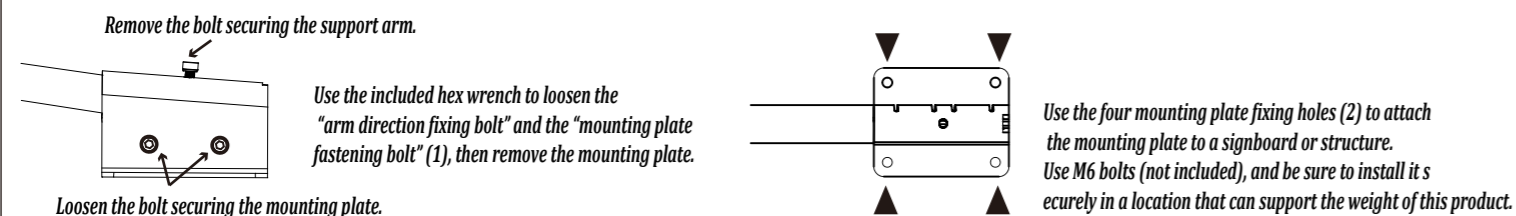
- CHECK CONTENTS INSIDE
 - ※ LAMP BODY ASSEMBLY (BULB, S-HANGER, FLANGE, FLANGE WATERPROOF WASHER) ×1
 - ※ SAFETY CABLE (3M) ×1
 - ※ WIRE SLEEVE ×2
 - ※ HEX KEY ×1
 - ※ WRENCH ×1
 - ※ DRAIN HOLE PLUG ×1
 - ※ USER MANUAL (THIS DOCUMENT) ×1
- CHECK LIGHT FUNCTION
 - ※ SUPPLY POWER FROM CABLE AT THE LAMP END AND CHECK WHETHER THE BULB LIGHTS UP.
- OTHERS
 - ※ INSPECT WHETHER THE EQUIPMENT, CABLES, AND ACCESSORIES ARE DAMAGED.

2 CONSTRUCTION NOTES

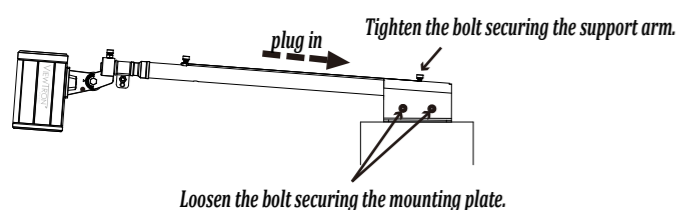
(1) As shown in the diagram below, be sure to use the arm on the top surface. Using it upside down may cause it to fall or lead to other accidents.



3 secure the mounting plate

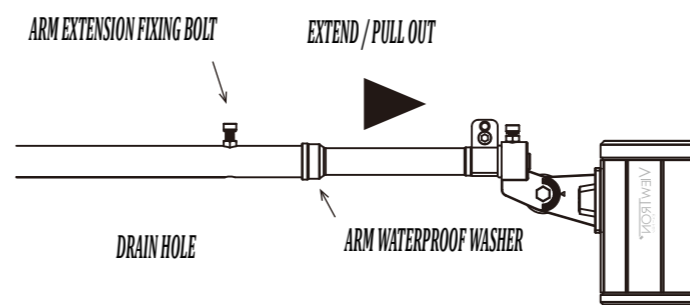


4 Secure the T-arm to the mounting plate.



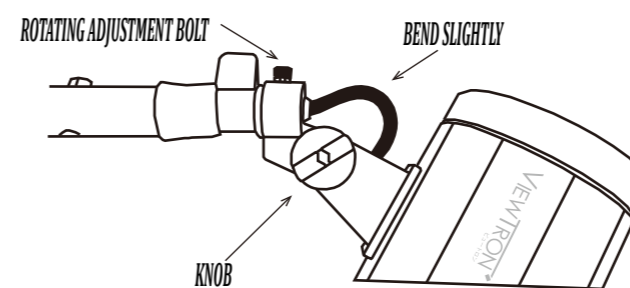
Insert the T-arm (lamp) into the mounting plate that has been fixed in advance. Push it in fully until the cable protection bushing touches the stopper inside the mounting plate. Then, tighten the arm direction fixing bolt using the included hex wrench, and tighten the mounting plate fastening bolt using a spanner or adjustable wrench (not included).

5 ADJUST THE LENGTH OF ARM L



- (1) WHEN LOOSENING THE FIXING BOLT TO CHANGE THE LENGTH OF THE LAMP ARM, THE ARM CAN BE EXTENDED. AFTER ADJUSTING THE ARM LENGTH TO THE APPROPRIATE REACH, RETIGHTEN THE FIXING BOLT. THE EXTENSION/RETRACTION RANGE CAN BE REFERENCED IN THE DRAWING ON THE BACK.
- (2) ADJUST THE POSITION OF THE WATERPROOF WASHER SO THAT IT COVERS THE JOINT OF THE LAMP ARM. IF THE DRAIN HOLE OF THE FLANGE FACES DOWNWARD, THE DRAIN HOLE OF THE S-ARM PIPE WILL ALSO BE DESIGNED TO FACE DOWNWARD.

6 ADJUST LIGHTING DIRECTION OF THE LAMP

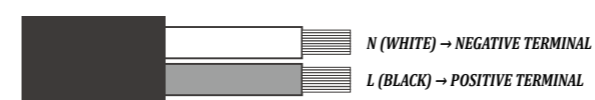


PLEASE CHECK WHETHER THE LOCK NUT HAS BEEN SECURELY FASTENED. EVEN IF THE ADJUSTMENT ROTATING BOLT IS NOT LOOSENED, ENSURE THAT THE LOCK NUT IS TIGHTENED. AFTER ADJUSTMENT, TIGHTEN SECURELY USING THE SUPPLIED HEX KEY AND FIX AGAIN WITH THE LOCK NUT.

(2) LOOSEN THE ROTATING ADJUSTMENT BOLT TO ADJUST THE HORIZONTAL DIRECTION. AFTER ANGLE ADJUSTMENT, LET THE CABLE SLACK SLIGHTLY AS SHOWN ON THE LEFT IMAGE TO AVOID LOAD ON THE CABLE. IT CAN BE TIGHTENED FURTHER BY INSERTING THE SUPPLIED HEX KEY INTO THE HEX HOLE IN THE CENTER OF THE KNOB. ADJUST AND FIX IN THE APPROPRIATE DIRECTION.

(1) LOOSEN THE KNOB AT THE LAMP BASE TO ADJUST THE VERTICAL DIRECTION.

7 CONNECT THE POWER CABLE



ENSURE ELECTRICAL CONNECTIONS ARE SECURE AND FIRMLY FIXED. PLEASE REFER TO THE LEFT PICTURE TO IDENTIFY THE POLARITY. CONNECT THE OUTPUT WIRE TO THE POWER CABLE, USING A SLEEVE, SELF-FUSING TAPE, ELECTRICAL INSULATION TAPE, OR OTHER SIMILAR MATERIALS FOR INSULATION.

8 CABLE INSTALLATION

PLEASE REFER TO FIGURES 1 TO 4 TO SEE HOW TO ROUTE THE CABLE IN A FIGURE-8 PATTERN THROUGH THE ARM AND LIGHT.

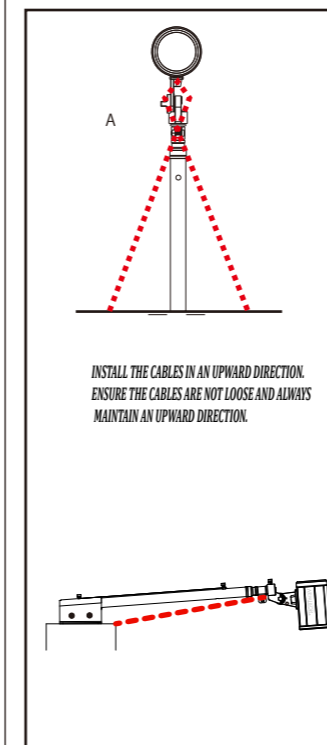
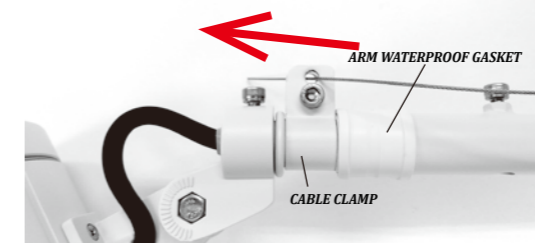
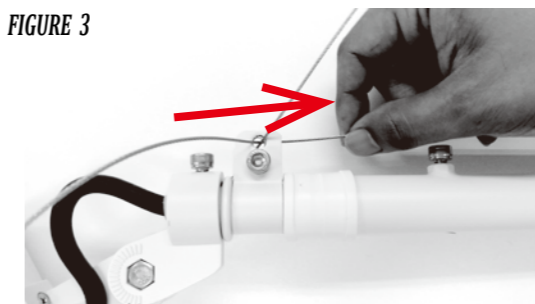


FIGURE 1



① THREAD THE CABLE THROUGH THE HOLE IN THE CABLE CLIP, FROM FRONT TO BACK.

FIGURE 3



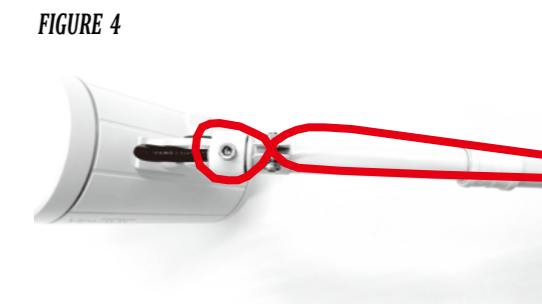
③ THREAD IT THROUGH THE HOLE IN THE CABLE CLIP. ROUTE FROM THE FRONT TO THE BACK.

FIGURE 2



② THREAD THE CABLE THROUGH THE HOLE ON THE LIGHT, THEN PULL THE CABLE BACK FROM THE REAR TO THE FRONT.

FIGURE 4



CHECK THE CABLE FIXING BOLT TO ENSURE IT IS NOT LOOSE. WHEN VIEWED FROM ABOVE, THE CABLE SHOULD LIE IN A FIGURE-8 PATTERN AS SHOW

9 CHECK THE LIGHTS

READ THE INSTRUCTIONS IN THE MANUAL CAREFULLY. WHEN PERFORMING INSTALLATION, ENSURE ELECTRICAL CONNECTIONS ARE SECURE AND CHECK THAT THE LIGHTS TURN ON. AFTER COMPLETING THE INSTALLATION, CONFIRM THAT THE PROCESS HAS BEEN PROPERLY COMPLETED.