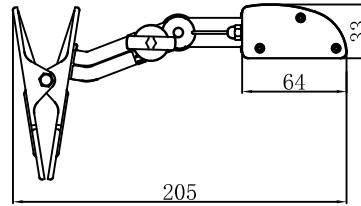
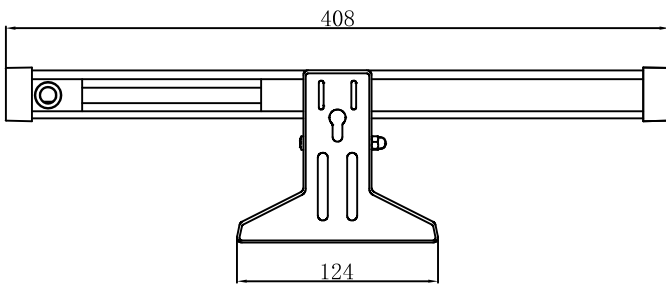
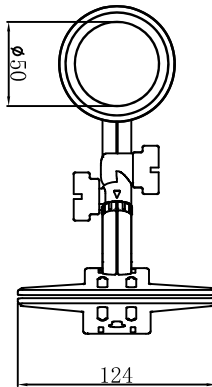


DRAWING

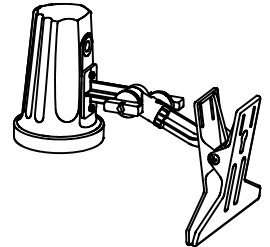
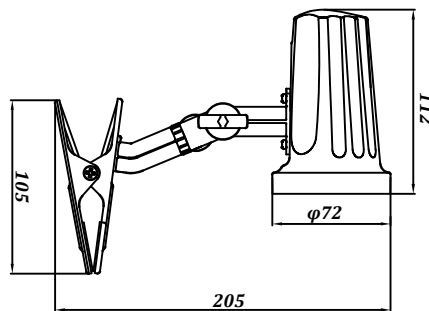
BAR TYPE



LAMP TYPE



LAMP TYPE



TECHNICAL SPECIFICATIONS

MODEL	VCB-B(W)5700	VCB-B(W)2700	VCL-B(W)5700	VCL-B(W)2700
SHAPE	BAR TYPE		LAMP TYPE	
BEAM ANGLE	80° × 40°			
LIGHT COLOR	DAYLIGHT COLOR 5700 K	WARM WHITE 2700 K	DAYLIGHT 5700 K	WARM WHITE 2700 K
TOTAL LUMINOUS FLUX	1600lm	1450lm	1100lm	1000lm
POWER CONSUMPTION	15W		10W	
INPUT VOLTAGE	AC100V-240V			
CURRENT	100V: 0.18A 200V: 0.09A		100V 0.12A 200V: 0.06A	
POWER FACTOR	> 0.9			
INSULATION RESISTANCE	3KV			
COLOR RENDERING INDEX (CRI)	> Ra80			
IP RATING	IP65			
OPERATING TEMPERATURE	-20°C ~ 40°C			
HOUSING COLOR	BLACK (WHITE)			
WEIGHT	850g		750g	
MATERIAL	BODY: PC; ARM: ALUMINUM; CLAMP: IRON		BODY: PC; ARM: ALUMINUM; CLAMP: IRON	
CABLE LENGTH	2.6 M (OR 2.9 M WITH SOCKET FINISH)		2.6 M (OR 2.9 M WITH SOCKET FINISH)	
DESIGN LIFETIME	40,000 HOURS (AT AN AMBIENT TEMPERATURE OF 25 °C)			
WARRANTY PERIOD	1 YEAR FROM THE DATE OF DELIVERY			
CERTIFICATIONS	PSE [ELECTRICAL SAFETY REGULATIONS] - VIBRATION TEST [IEC 60068-2-6] - DUST AND WATER RESISTANCE TEST [IP65] - SALT SPRAY TEST [IEC 60068-2-11]			
INCLUDED ACCESSORIES	ANTI-THEFT CABLE, CABLE TIE FOR CABLE FIXING			

SIZE
A4

CLIP LIGHT FOR SIGNBOARD

- VCB-B(W)5700 VCB-B(W)2700
 VCL-B(W)5700 VCL-B(W)2700

VC-002

NIKKEN HARDWARE 

VIEW CLIP INSTALLATION INSTRUCTIONS

SAFETY PRECAUTIONS

DO NOT MODIFY THE POWER INDICATOR. RISK OF FIRE, ELECTRIC SHOCK, OR FALLING OBJECTS.

DO NOT USE IN AREAS WITH STRONG VIBRATION, HEAVY IMPACT, CORROSIVE GASES, OR NEAR COASTAL ENVIRONMENTS. RISK OF FIRE, ELECTRIC SHOCK, OR FALLING OBJECTS.

THIS PRODUCT IS RATED IP65 FOR WATER RESISTANCE AND IS SUITABLE FOR GENERAL OUTDOOR USE. IT IS NOT DESIGNED FOR SUBMERSION OR USE IN AREAS WITH STRONG WAVES.

DO NOT COVER WITH THERMAL INSULATION OR SOUNDPROOFING MATERIALS. RISK OF FIRE.

DO NOT USE A POWER SUPPLY WITH A VOLTAGE OTHER THAN THE SPECIFIED RATING. RISK OF ELECTRIC SHOCK OR FIRE.

MAINTAIN A MINIMUM DISTANCE OF 0.15 M FROM THE ILLUMINATED SURFACE. USING IT CLOSER THAN THIS DISTANCE MAY CAUSE DISCOLORATION OR FIRE.

DO NOT USE IN AREAS EXPOSED TO DIRECT SUNLIGHT, VIBRATION, OR CORROSIVE GASES. RISK OF FIRE, ELECTRIC SHOCK, OR FALLING OBJECTS.

OPERATE WITHIN AN AMBIENT TEMPERATURE RANGE OF -20 °C TO 40 °C. EXCEEDING THIS RANGE MAY RESULT IN DAMAGE OR FIRE.

APPLICABLE SIGNBOARD TYPES

※ THIS PRODUCT IS OPTIMIZED TO ILLUMINATE SIGNBOARDS AND POSTERS RANGING FROM A1 SIZE (APPROX. 850 MM × 600 MM) TO B1 SIZE (APPROX. 1000 MM × 730 MM).

※ WHEN USING CLIPS TO SECURE, THE RECOMMENDED PANEL THICKNESS FOR CLIPPING IS 5 MM-25 MM. (THINNER OR THICKER PANELS MAY COME LOOSE EASILY.)

※ WHEN INSTALLING AT THE TOP OF AN A-TYPE SIGNBOARD, THE GAP FOR CLIPPING MUST BE AT LEAST 5 MM.

IF THE GAP IS INSUFFICIENT, USE THE LAMP TYPE INSTEAD OF THE BAR TYPE, OR SECURE FROM THE SIDE.

INSTALLATION METHOD

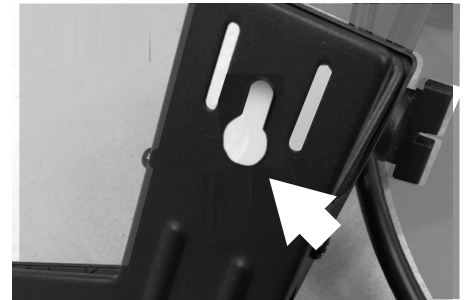
1. OPEN THE CLIP OF THE LIGHT AND ATTACH IT TO THE SIGNBOARD OR THE OBJECT TO BE ILLUMINATED.



FOR TYPE A SIGNBOARDS:
CLAMP THE GLASS INTO THE UPPER GAP OF THE TYPE A SIGNBOARD AND SECURE IT, WITH THE LIGHT DIRECTED DOWNWARD.
(CLAMPING GAP IS 4.5 MM; A MINIMUM CLEARANCE OF 5 MM IS REQUIRED)

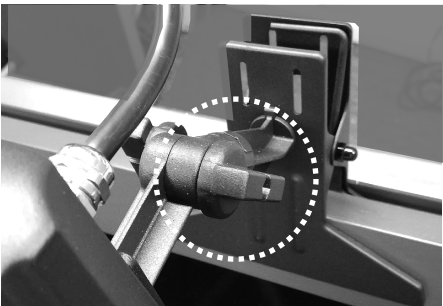


FOR TYPE A SIGNBOARDS WITHOUT AN UPPER GAP:
CLAMP ON THE SIDE OF THE TYPE A SIGNBOARD AND DIRECT THE LIGHT AT AN ANGLE.
(ONLY USE WITH THIS TYPE OF LIGHT)

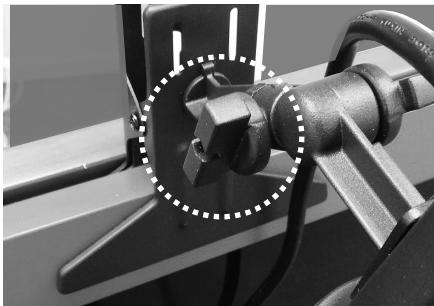


FOR WALL-MOUNTED SIGNBOARDS OR POSTERS:
SIMILAR TO HANGING A WALL CLOCK, INSTALL AN M5 SCREW INTO THE WALL, THEN HOOK THE MOUNTING HOLE (AS SHOWN ABOVE) AND SECURE IT DIRECTLY TO THE SIGNBOARD.

2. LIGHTING DIRECTION ADJUSTMENT



VERTICAL ADJUSTMENT:
WHEN THE LIGHT IS ON, LOOSEN THE KNOB ON THE RIGHT SIDE TO ADJUST THE VERTICAL DIRECTION OF THE LIGHT, THEN TIGHTEN THE KNOB TO SECURE IT.



HORIZONTAL ADJUSTMENT:
WHEN THE LIGHT IS ON, LOOSEN THE KNOB ON THE LEFT SIDE TO ADJUST THE HORIZONTAL DIRECTION OF THE LIGHT, THEN TIGHTEN THE KNOB TO SECURE IT.

[NOTE]
THIS PRODUCT USES A POLARIZING LENS.
DO NOT DIRECT THE LIGHT STRAIGHT ONTO THE SIGNBOARD SURFACE.
ANGLE THE LIGHT SLIGHTLY TOWARD THE FLOOR TO ENSURE EVEN ILLUMINATION ON THE SIGNBOARD.

[NOTE]
THE CENTER OF THE KNOB HAS A HEX SOCKET.
IT CAN BE TIGHTENED BY HAND; HOWEVER, FOR A MORE SECURE FIX, USE A HEX KEY.
(DO NOT OVERTIGHTEN TO PREVENT DAMAGE)

3. CABLE SECURING



SECURE THE CABLE WITH A CABLE TIE:
USE THE SUPPLIED CABLE TIE TO FASTEN THE CABLE TO THE CLAMP OR ALONG THE SIGNBOARD.
(MUST BE PERFORMED AFTER ADJUSTING THE LIGHTING DIRECTION)

4. INSTALLATION OF THE ANTI-THEFT CABLE

THIS PRODUCT IS SUPPLIED WITH AN ANTI-THEFT CABLE FOR THE CLIP LIGHT.
IF NECESSARY, THREAD THE CABLE THROUGH THE SIGNBOARD OR STRUCTURE TO PREVENT THE DEVICE FROM BEING STOLEN.