

AS PER CUSTOMER REQUEST - BRIGHTER, MORE COST-EFFECTIVE.

26,650lm

※UN-C2-200W

LONG-TERM WARRANTY: 3 YEARS

400 W MERCURY LAMP

100W

Luminous Flux 13,330 lm

700 W MERCURY LAMP

150W

Luminous Flux 19,980 lm

1000 W MERCURY LAMP

200W

Luminous Flux 26,650 lm

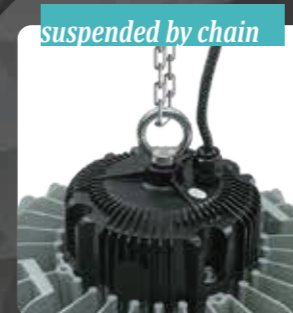
3
BRIGHTNESS
LEVELS
TO
CHOOSE
FROM

SUITABLE FOR INDOOR HIGH
CEILING LIGHTING
CAN ALSO BE USED AS
OUTDOOR FLOODLIGHT
VERSATILE - FLEXIBLE FOR
ALL APPLICATIONS



IP66

Versatile mounting accessories, flexible usage



suspended by chain

EYEBOLT



Install onto the H-beam on the ceiling

U-bracket - optional accessory



Install on the column / pillar

Two-axis swivel bracket - optional accessory



FOR INDOOR USE ONLY

U-BRACKET UN-C2-BR1

USED FOR HIGH CEILING LIGHT INSTALLATION;
USE HANGING ACCESSORIES TO MOUNT ON H-BEAMS.
CAN BE ROTATED TO ADJUST THE LIGHTING ANGLE UP TO 45°.
SOLD AS A SEPARATE ACCESSORY, TO BE INSTALLED BY THE CUSTOMER.

[OPEN PRICE]

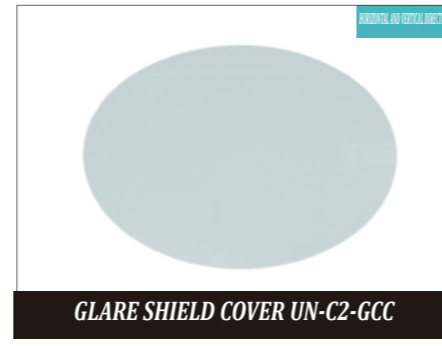


CAN BE ROTATED TO ADJUST ANGLE UP TO 45°

U-BRACKET UN-C2-BR1

USED WHEN INSTALLING THE UN-C2 LIGHT AS A FLOODLIGHT
ON A POLE, BASE, OR BRACKET.
THE LIGHTING DIRECTION CAN BE ADJUSTED BOTH HORIZONTALLY AND VERTICALLY.
SOLD AS A SEPARATE ACCESSORY, TO BE INSTALLED BY THE CUSTOMER.

[OPEN PRICE]



HORIZONTAL AND VERTICAL DIRECTION

GLARE SHIELD COVER UN-C2-GCC

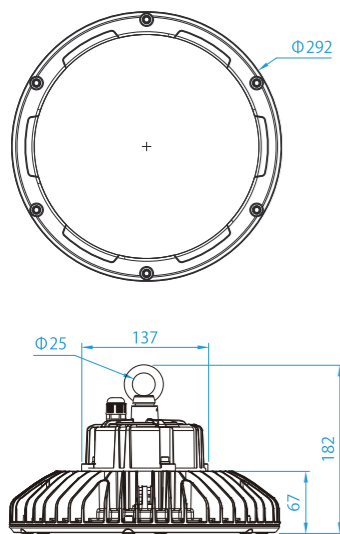
CHANGES THE LIGHT-EMITTING SURFACE FROM CLEAR GLASS TO FROSTED
(MILK WHITE) GLASS TO IMPROVE GLARE RESISTANCE.
SUITABLE FOR AREAS WITH LOW CEILINGS OR WHERE DIRECT LIGHT CAUSES DISCOMFORT.
ILLUMINANCE IS REDUCED BY APPROXIMATELY 20%.
THE PRODUCT COMES WITH THE REPLACEMENT COVER INSTALLED AT THE FACTORY.

WHEN USING THIS ACCESSORY, IP66 PROTECTION IS NOT MAINTAINED.
FOR INDOOR USE ONLY, IN DRY AREAS WITHOUT WATER.

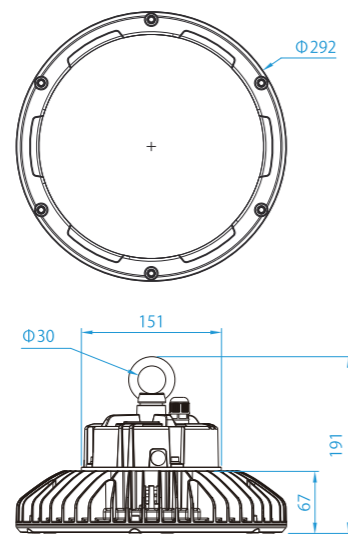
[OPEN PRICE]

Diagram

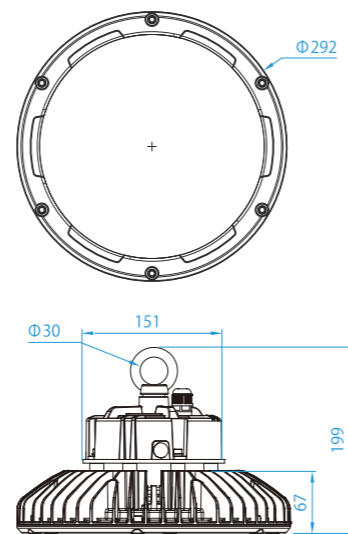
UN-C2-100W



UN-C2-150W



UN-C2-200W

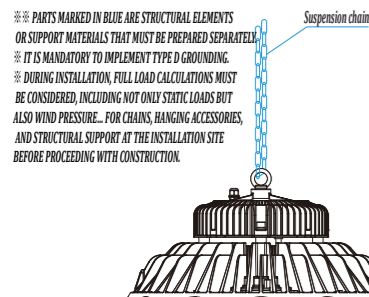


INSTALLATION METHOD

Suspended with chain using the included standard eyebolt.

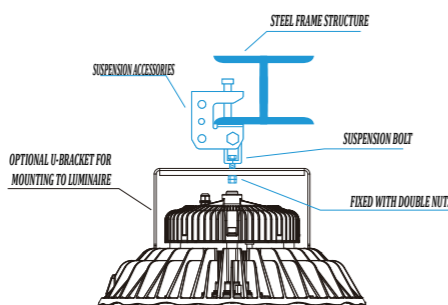
Ceiling installation using optional U-bracket.

Installation on frame/bracket using optional 2-axis swivel bracket.

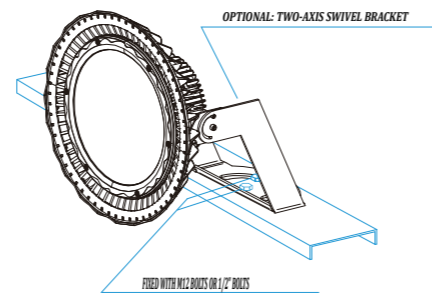


※ PARTS MARKED IN BLUE ARE STRUCTURAL ELEMENTS
OR SUPPORT MATERIALS THAT MUST BE PREPARED SEPARATELY.
※ IT IS MANDATORY TO IMPLEMENT TYPE D GROUNDING.
※ DURING INSTALLATION, FULL LOAD CALCULATIONS MUST
BE CONSIDERED, INCLUDING NOT ONLY STATIC LOADS BUT
ALSO WIND PRESSURE... FOR CHAINS, HANGING ACCESSORIES,
AND STRUCTURAL SUPPORT AT THE INSTALLATION SITE
BEFORE PROCEEDING WITH CONSTRUCTION.

※ ACTUAL ILLUMINANCE AND LUMINOUS FLUX MAY VARY DEPENDING ON THE ENVIRONMENT (E.G., REFLECTIVITY),
MOUNTING TIME, AND DIFFERENCES BETWEEN PRODUCTS. SEE THE CEILING AND FLOOR REFERENCE ONLY AND NOT GUARANTEED.
※ LOCAL REGULATIONS MAY HAVE DIFFERENCES ON THE LIGHTING CODE, MINIMUM LIGHT PRODUCTION TIME.
※ PRODUCT COLOR MAY VARY FROM THE ACTUAL PRODUCT.
※ TECHNICAL SPECIFICATIONS AND APPEARANCE MAY CHANGE WITHOUT NOTICE DUE TO PRODUCT IMPROVEMENTS.
※ THIS CATALOG IS VALID AS OF NOVEMBER 2022.
※ DO NOT USE FOR AREAS WITH STRONG IMPACT, SUCH AS SPORTS VENUE LOCATIONS, AREAS WITH STRONG CORROSION GASES,
OR HIGH HUMIDITY AREAS. THE LIGHTING FIXTURE MUST BE OPERATED UNDER THE PROTECTIVE COVER AND PROTECTED BY A NEW
METHOD OF PROTECTIVE COVER FOR LIGHTING FIXTURES. PLEASE TO DO IN YOUR OWN RISK. SEE THE CEILING, FLOOR, OR EQUIPMENT FLOOR.
※ DO NOT COVER THE LIGHT WITH ANY OBJECTS OR MATERIALS THAT BLOCK THE LIGHTING FIXTURE.
※ IF USED CONTINUOUSLY FOR MORE THAN 20 HOURS PER DAY (E.G., IN AREA LIGHTING),
THE WARRANTY PERIOD WILL BE CALCULATED AS HALF OF THE NORMAL PERIOD.



STEEL FRAME STRUCTURE
SUSPENSION ACCESSORIES
SUSPENSION BOLT
FIXED WITH DOUBLE NUTS
OPTIONAL U-BRACKET FOR
MOUNTING TO LUMINAIRE



OPTIONAL TWO-AXIS SWIVEL BRACKET
FIXED WITH 2 BRUITS OR 1/2" BRUITS

CAN BE USED FOR MULTIPLE PURPOSES

DURABLE AND RELIABLE

PREMIUM TECHNICAL SPECIFICATIONS



CAN BE USED FOR MULTIPLE PURPOSES



TREE, BUILDING / STRUCTURE LIGHTING



WATER AND DUST RESISTANT
PROTECTION RATING IP66
DUST AND WATER-RESISTANT DESIGN



HIGH TEMPERATURE RESISTANCE
30°C - 50,000 HOURS LIFETIME
LONG LIFESPAN DESIGN
(STANDARD PRODUCTS ARE USUALLY DESIGNED AT 25°C)



OUTSTANDING BRIGHTNESS
26,650 lm
(UN-C2-200W)



WITH THIS HIGH LUMINOUS POWER
MEASURED EFFICIENCY: 130 lm/W



OUTDOOR FLOODLIGHT



ĐÈN PHA CHIẾU SÁNG
BÃI ĐỖ XE, V.V.



CORROSION AND RUST RESISTANT
PASSED SALT SPRAY TEST ACCORDING
TO ISO 9227 STANDARD



VIBRATION RESISTANCE
STANDARD IEC 60068-2-6
PASSED VIBRATION TEST



PEACE OF MIND
LONG-TERM WARRANTY: 3 YEARS



WITH THIS HIGH LUMINOUS POWER
MEASURED EFFICIENCY: 130 lm/W

HIGH CEILINGS OF FACTORIES / WAREHOUSES



ILLUMINATING TREES / LANDSCAPES



OUTDOOR SIGNS



PARKING LOTS



PS E
3-YEAR WARRANTY

100W/150W/200W 3 PRODUCT LINE

UN-C2 PRODUCT TECHNICAL SPECIFICATIONS

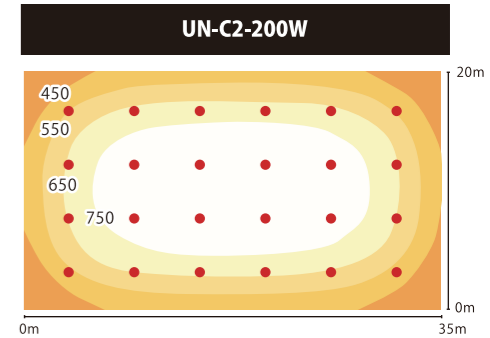
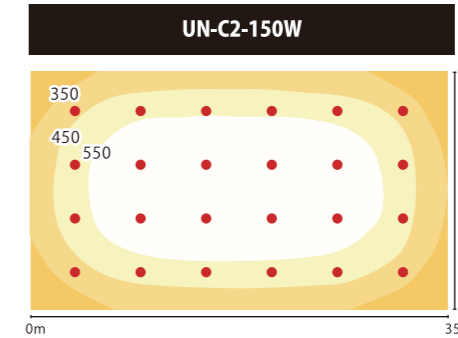
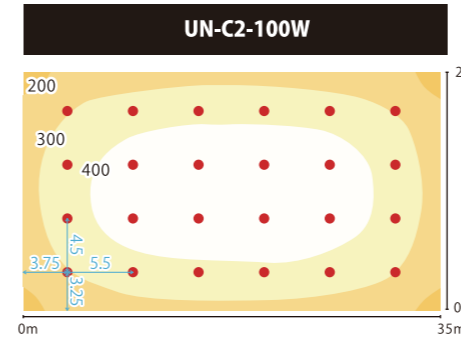
PRODUCT CODE	UN-C2-100W	UN-C2-150W	UN-C2-200W
EQUIVALENT LUMINOSITY	> Mercury Lamp 400W	= Mercury Lamp 700W	< Mercury Lamp 1,000W
TOTAL LUMINOUS FLUX	13,330 lm	19,980 lm	26,650 lm
LIGHT DISTRIBUTION ANGLE	120°		
POWER CONSUMPTION	100W±5W	150W±7W	200W±10W
CURRENT	100V: 1.3A / 200V: 0.65A	100V: 1.9A / 200V: 1.0A	100V: 2.8A / 200V: 1.4A
INPUT VOLTAGE	AC100V-240V / 50-60Hz		
LIGHT COLOR	5,000 K		
NUMBER OF LEDs USED	112 PIECE	189 PIECE	252 PIECE
DIMENSIONS	φ292mm H:182mm	φ292mm H:191mm	φ292mm H:199mm
WEIGHT	4.2 kg	4.5 kg	5.3 kg
PROTECTION RATING	IP66		
PRODUCT WARRANTY	3 YEARS FROM THE PRODUCT SHIPMENT DATE		

COLOR CHARACTERISTICS: > Ra70 POWER FACTOR: > 0.93
DESIGN LIFESPAN: 50,000 HOURS (AT AMBIENT TEMPERATURE 30°C)
OPERATING TEMPERATURE: -30°C - 50°C (HUMIDITY BELOW 90%)
ELECTRICAL SHOCK RESISTANCE: NORMAL MODE 6KV / STANDARD MODE 6KV
CABLE LENGTH: 1.5M CERTIFICATIONS / TESTS: PSE, ROHS
INCLUDED ACCESSORIES: EYEBOLT, SAFETY CABLE FIXED PRICE: OPEN RETAIL PRICE
DIMENSIONS AND WEIGHT OF THE MAIN BODY DO NOT INCLUDE ARM, ETC.

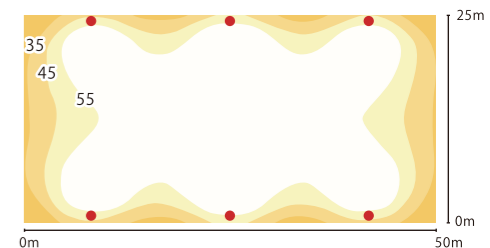
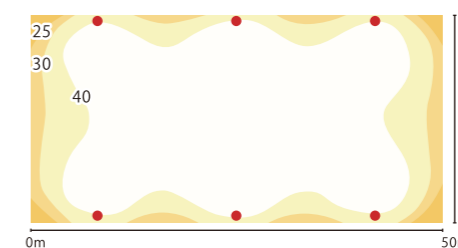
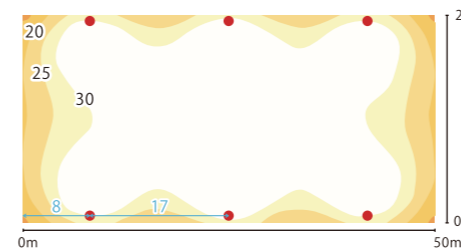
LIGHT ILLUMINANCE DISTRIBUTION



EXAMPLE ILLUMINANCE DISTRIBUTION DIAGRAM ①
OUTDOOR PARKING LOT, 6 LIGHT UNITS
DIMENSIONS: 50 m × 25 m, INSTALLATION HEIGHT: 10 m
CAPACITY: 60 VEHICLES



EXAMPLE ILLUMINANCE DISTRIBUTION DIAGRAM ②
OUTDOOR PARKING LOT, 6 LIGHT UNITS
DIMENSIONS: 50 m × 25 m, INSTALLATION HEIGHT: 10 m
CAPACITY: 60 VEHICLES



EXAMPLE ILLUMINANCE DISTRIBUTION DIAGRAM ③
OUTDOOR SIGNBOARD, 4 LIGHT UNITS
DIMENSIONS: 8 m × 4 m, LIGHTING WIDTH: 2 m
INSTALLATION ANGLE: 60°

