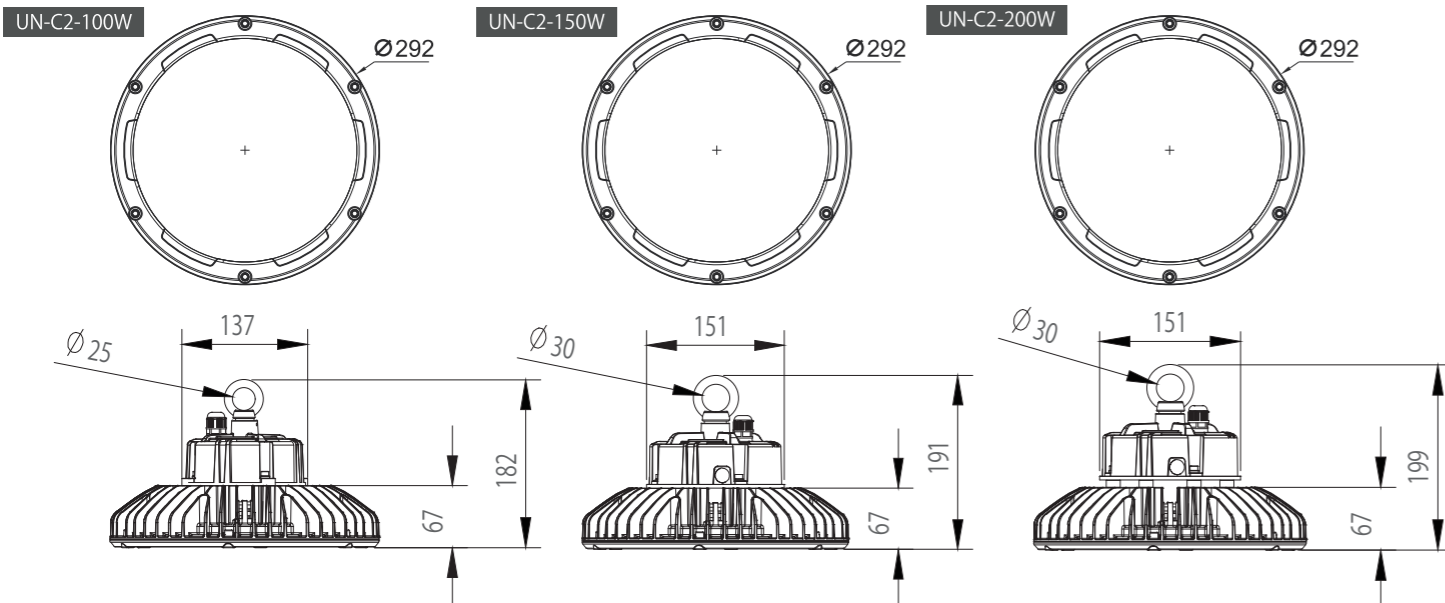
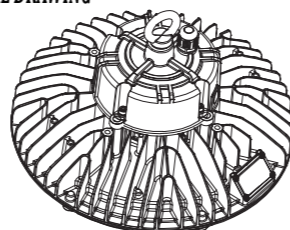


DIAGRAM

TECHNICAL SPECIFICATION SHEET PROVIDED



DIMENSIONAL DRAWING



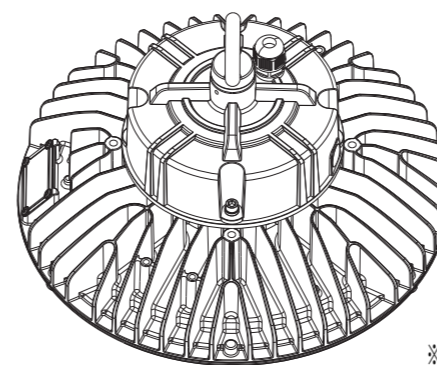
※ STANDARD CONFIGURATION = EYEBOLT
U-SHAPED BRACKET AND TWO-AXIS ADJUSTABLE BRACKET
ARE OPTIONAL ACCESSORIES (SOLD SEPARATELY, NOT INCLUDED AS STANDARD).

TECHNICAL SPECIFICATIONS

PRODUCT CODE / MODEL	UN-C2-100W	UN-C2-150W	UN-C2-200W
EQUIVALENT BRIGHTNESS	400W MERCURY VAPOR LAMP	700W MERCURY VAPOR LAMP	1000W MERCURY VAPOR LAMP
TOTAL LUMINOUS FLUX (lm)	13,330lm	19,980lm	26,650lm
POWER CONSUMPTION	100W ± 5W	150W ± 7W	200W ± 10W
CURRENT (A)	100V : 1.3A / 200V:0.65A	100V : 1.9A / 200V : 1.0A	100V : 2.8A / 200V:1.4A
NUMBER OF LEDS	112UNIT	189 UNIT	252UNIT
EXTERNAL DIMENSIONS	φ 292mm HIGH 182mm	φ 292mm HIGH 191mm	φ 292mm HIGH 199mm
PRODUCT WEIGHT	4.2kg	4.5kg	5.3kg
INPUT VOLTAGE	AC100V-240V / 50-60Hz		
LIGHT COLOR	DAYLIGHT WHITE 5000K		
COLOR RENDERING INDEX (CRI)	CRI 70		
BEAM ANGLE	120°		
PROTECTION RATING (IP)	IP66		
POWER FACTOR (PF)	0.93		
DESIGN LIFESPAN	50,000 HOURS (30°C)		
OPERATING TEMPERATURE	-30°C TO 50°C (HUMIDITY ≤90%)		
WITHSTAND VOLTAGE	NORMAL 6KV / COMMON 6KV		
MATERIAL	ALUMINUM BODY / SUS MOUNTING SCREWS / TEMPERED GLASS COVER		
OUTPUT CABLE LENGTH	1.5 m		
CERTIFICATION	PSE, CE, SAA, UL, ROHS		
PRODUCT WARRANTY	3 YEARS		
INCLUDED ACCESSORIES	MOUNTING SCREWS, SAFETY WIRE		

FOR STORAGE USE

PLEASE HAND OVER THIS USER MANUAL TO THE USER.



MULTI-PURPOSE FLOODLIGHT FOR BOTH OUTDOOR AND INDOOR USE

UN-C2 SERIES

USER MANUAL & INSTALLATION GUIDE

※ WIRING AND INSTALLATION OF LIGHTING EQUIPMENT MUST BE CARRIED OUT BY A LICENSED ELECTRICAL CONTRACTOR (CERTIFIED PROFESSIONAL). UNQUALIFIED PERSONNEL ARE NOT PERMITTED TO PERFORM ELECTRICAL INSTALLATION IN ACCORDANCE WITH THE LAW.

INSTALL SECURELY ON A STRUCTURE CAPABLE OF SUPPORTING THE LOAD TO PREVENT FALLING, FIRE, OR ELECTRIC SHOCK.

WARNING THE LIGHT BECOMES HOT DURING OPERATION; INSTALL IT IN A LOCATION WHERE IT IS NOT EASILY TOUCHED.
DO NOT COVER THE LIGHT (WITH GRASS, PLANTS, OR INSULATION/SOUNDPROOF MATERIALS) - FIRE HAZARD.

FOLLOW WIRING INSTRUCTIONS CAREFULLY; DO NOT MODIFY OR ALTER ANY COMPONENTS.

DO NOT USE IN LOCATIONS WITH: STRONG VIBRATION, WATER SUBMERSION, CORROSIVE OR FLAMMABLE GASES, OIL MIST, CONDITIONS OUTSIDE THE PERMITTED TEMPERATURE/HUMIDITY RANGE, OR IN CONTACT WITH FLAMMABLE MATERIALS.

DO NOT USE CONTINUOUSLY FOR LONG PERIODS; THIS MAY SIGNIFICANTLY REDUCE THE PRODUCT'S LIFESPAN.

DAMAGE CAUSED BY LIGHTNING IS NOT COVERED BY WARRANTY; INSTALL SURGE PROTECTION FOR THE ELECTRICAL CIRCUIT.

CAUTION DO NOT CONNECT TO A DIMMER (LIGHT INTENSITY CONTROLLER).
USE A POWER CABLE THAT MEETS EQUIVALENT OR HIGHER STANDARDS.
MAINTAIN A SAFE LIGHTING DISTANCE; TOO CLOSE MAY CAUSE FIRE HAZARD.

CHECK TO PREVENT LIGHT POLLUTION CAUSED BY LIGHT LEAKAGE.

USE ONLY IN NORMAL ENVIRONMENTS.

FOR PRODUCTS INSTALLED AT HEIGHT: TEST OPERATION BEFORE INSTALLATION TO AVOID WRONG ITEMS OR DEFECTS.

EXERCISE EXTREME CAUTION DURING INSTALLATION.

LIGHTNING PROTECTION: LED lights use many semiconductor components and are more susceptible to lightning than traditional lighting. DAMAGE CAUSED BY LIGHTNING IS NOT COVERED BY WARRANTY. PLEASE REQUEST THE INSTALLER TO EQUIP THE ELECTRICAL CIRCUIT WITH SURGE PROTECTION DEVICES.

FOR CUSTOMER USE CLEANING: ACCUMULATION OF OIL, DUST, OR WOOD CHIPS CAN REDUCE HEAT DISSIPATION AND MAY CAUSE DAMAGE. WIPE DRY REGULARLY OR CLEAN USING A DILUTED NEUTRAL DETERGENT.

OPERATING TIME: DO NOT OPERATE CONTINUOUSLY FOR EXTENDED PERIODS; THIS MAY CAUSE DAMAGE OR REDUCE LIFESPAN.

PRODUCT LIFESPAN: LIFESPAN IS HIGHLY DEPENDENT ON AMBIENT TEMPERATURE. DESIGN VALUES ARE BASED ON USE AT ≤25°C. HIGH TEMPERATURES, STEAM, OIL MIST, PROXIMITY TO FURNACES, OR DIRECT SUMMER SUNLIGHT WILL REDUCE LIFESPAN.

SIZE **A4** PRODUCT NAME **MULTI-PURPOSE FLOODLIGHT FOR BOTH OUTDOOR AND INDOOR USE** UN-C2-004 NIKKEN HARDWARE

UN-C2-100W UN-C2-150W UN-C2-200W